



Essentials™ Injection Odorizer

The Welker OdorEyes Essentials™ Injection Odorizer is a low-cost odorant injection system designed to inject liquid odorant proportional to flow into a natural gas pipeline.

Features

- Welker 4P Sample Frequency Controller in an explosion-proof enclosure
- Welker SSO-9MED Injection Pump
- 4-way solenoid
- Odorant supply tank with level gauge

Benefits

- Injects odorant proportional to flow into natural gas pipelines
- Adjustable odorant injection volume with Welker SSO-9MED
- Cost-effective odorant injection system
- Compact footprint
- Optional solar panel provides convenience for sites without power



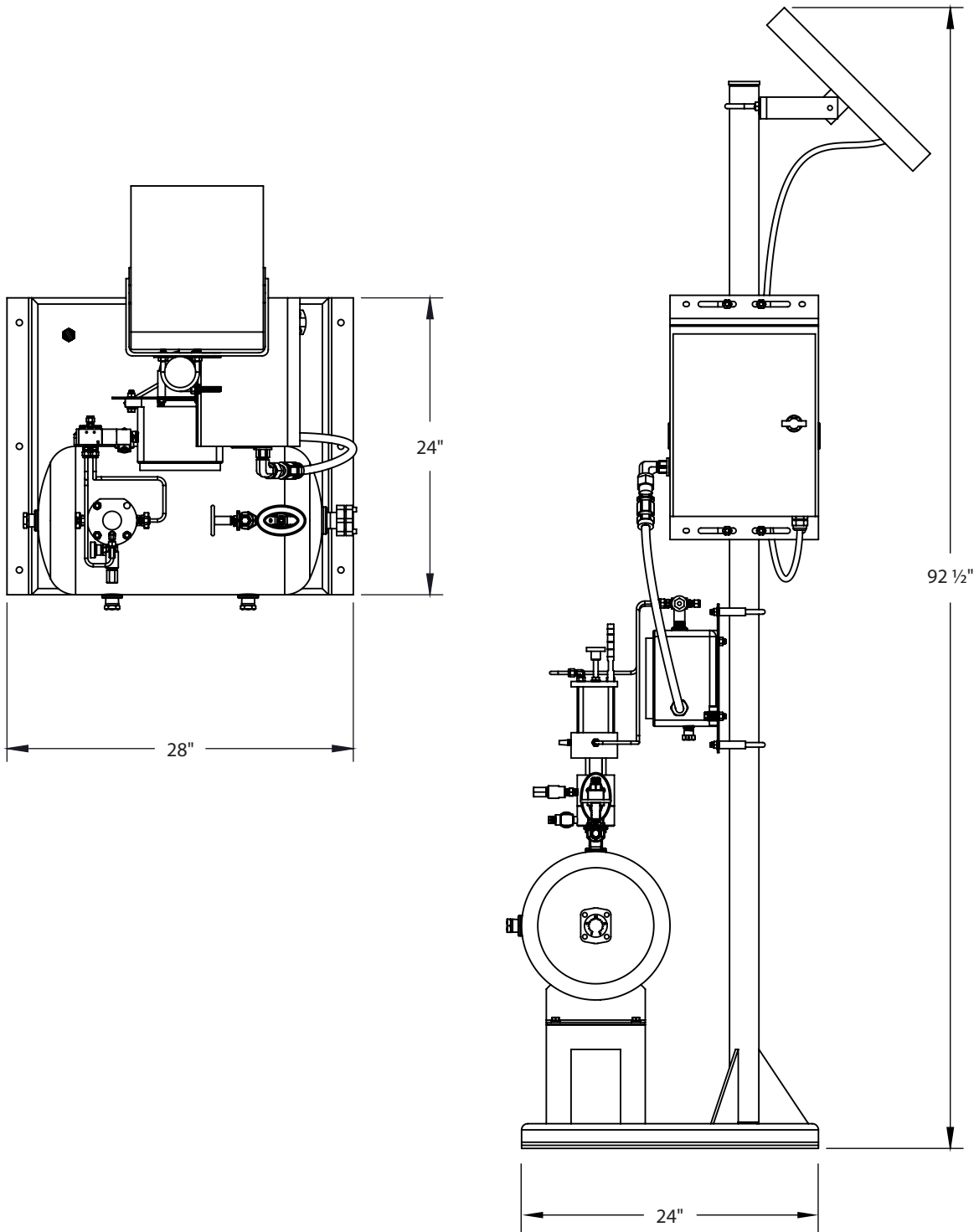
SPECIFICATIONS

ESSENTIALS™ INJECTION ODORIZER

ESSENTIALS™ INJECTION ODORIZER

Materials of Construction	316/316L Stainless Steel, Painted Carbon Steel
Power Options	DC 12–24 V
	Solar Power
Digital Input	DC 1–5 V Square Wave, Dry Contact, Open Collector
Pneumatic Connection	Blanket Pressure Inlet: ¼" FNPT
Injection Volume	0.25–7.50 cc
Tank Volume	10 US gallons
Operating Pressure	Actuation: 115 psig MAOP @ -20 °F to 104 °F, Process: 200 psig MAOP @ -20 °F to 120 °F

DIMENSIONS



Weight and/or dimensions are approximate.
Specifications subject to change without notice.



13839 WEST BELLFORT STREET SUGAR LAND, TEXAS 77498 | 281.491.2331 | sales@welker.com | WELKER.COM
Copyright © 2017 Welker, Inc. All rights reserved. Welker®, W Welker®, W logo, WelkerScope®, Welker Jet®, and OdorEyes® are registered trademarks of Welker, Inc.