

MATERIAL:

316 S.S.

FINISH:

N/A

TO PROTECT SENSITIVE PIPELINE EQUIPMENT, WELKER ENGINEERING COMPANY RECOMMENDS INSTALLING ANY PRODUCT PROTRUDING INTO THE PIPELINE UPSTREAM OF THE STRAINER.

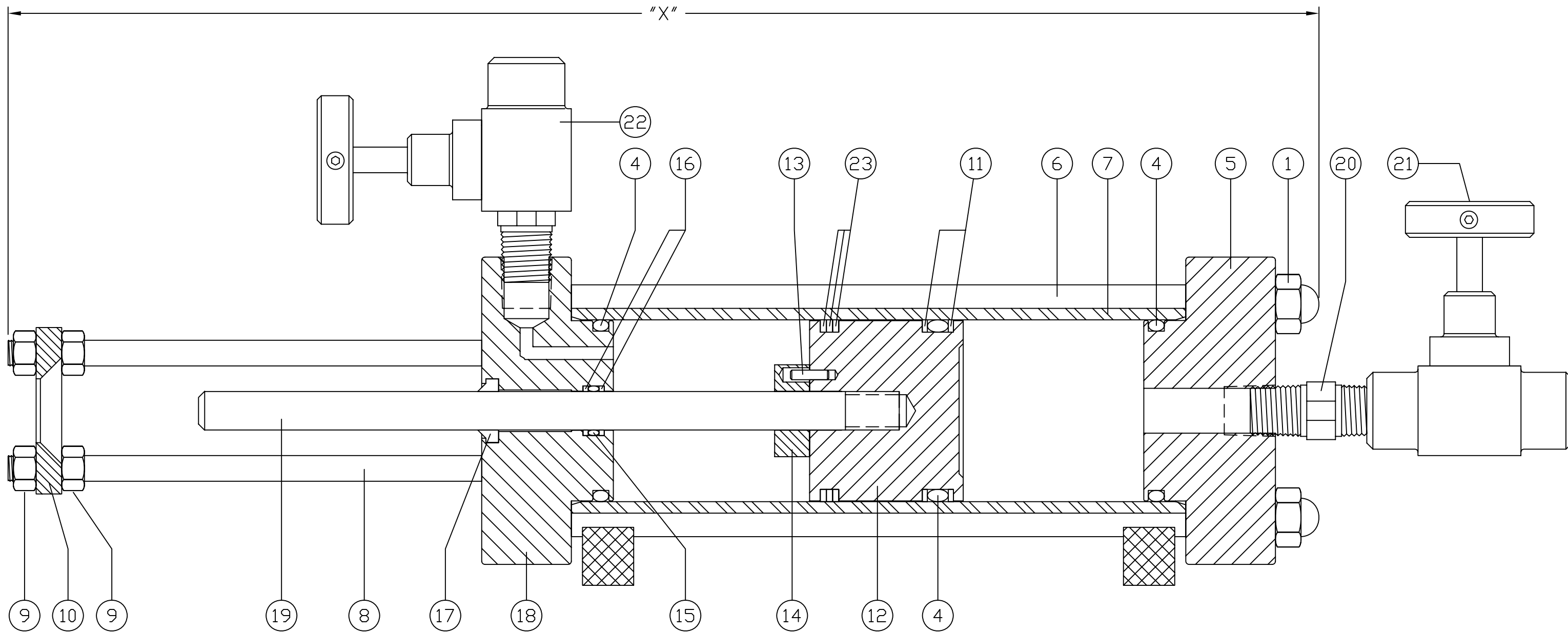
DRAWING NUMBER:

AD040C□CRN

REV:

-

**MAOP: 1800 PSIG @ -20°F TO 100°F**  
**MAOT°: 400°F @ 1,645 PSIG**



DATE	REV.	RECORD	AUTHORIZED	DRAFTER	CHECKED
07/30/07	-	DR #7754	GB	GL	-



**WELKER®**

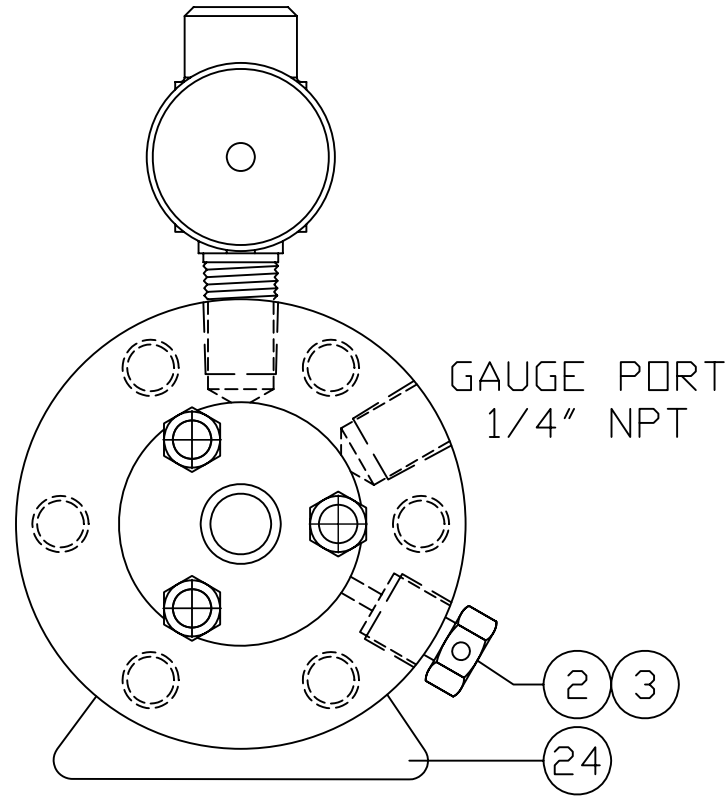
THIS DOCUMENT CONTAINS CONFIDENTIAL INFORMATION WHICH IS THE PROPERTY OF WELKER ENGINEERING COMPANY (WEC). THIS DOCUMENT AND THE INFORMATION WHICH IT CONTAINS SHALL NOT BE USED, EXPLOITED OR SOLD WITHOUT THE EXPRESS WRITTEN PERMISSION OF WEC. SHALL NOT BE COPIED OR OTHERWISE REPRODUCED IN WHOLE OR IN PART AND SHALL NOT BE REVEALED OR DISCLOSED TO THIRD PARTIES. THIS DOCUMENT SHALL REMAIN THE PROPERTY OF WEC AND SHALL BE RETURNED UPON DEMAND

P.O. BOX 138  
13839 WEST BELLFORT  
SUGARLAND, TEXAS 77487-0138  
PHONE (281) 491-2331  
FAX (281) 491-8344

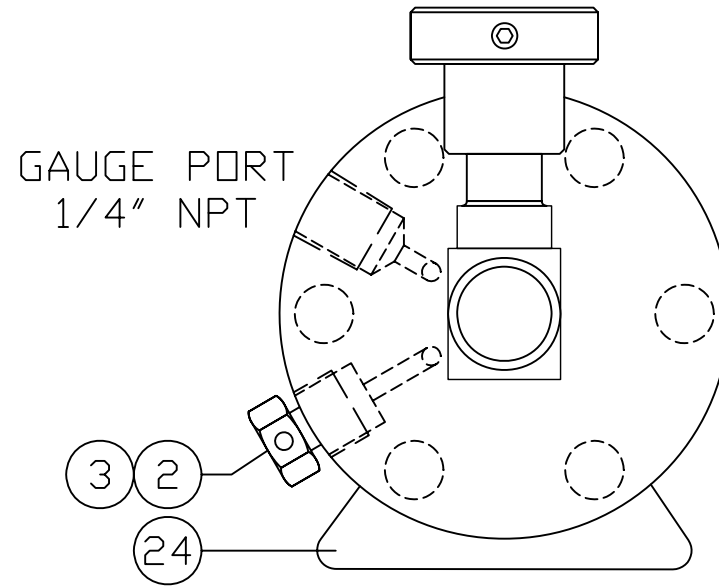
TITLE: CONSTANT PRESSURE CYLINDER STYLE: CP-2S SOLID INDICATOR			
COMPANY:			
DRAWN BY: GL	SCALE: 1:2	APPROVED BY:	DRAWING NUMBER: AD040C□CRN
DATE: 7/30/07			SHEET: 1 of 2
		REV: -	

**MAOP: 1800 PSIG @ -20°F TO 100°F**  
**MAOT°: 400°F @ 1,645 PSIG**

I	1000	48.05" (1221)
H	400	23.28" (591)
G	250	17.42" (442)
E	800	44.83" (1139)
D	500	28.53" (725)
C	300	20.55" (522)
B	150	13.45" (342)
A	100	11.00" (279)
O	50	8.63" (219)
□	VOLUME [cc]	OVERALL LENGTH [ inch - (mm) ]



PRECHARGE END CAP DETAIL

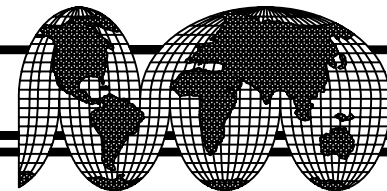


PRODUCT END CAP DETAIL

24	2	CYLINDER FEET	CP2S1009
23	3	BACK UP	BU222SL
22	1	VALVE, M/F	NV1MF
21	1	VALVE, F/F	NV1FF
20	1	1/4" HEX NIPPLE	MF004□X
19	1	INDICATOR ROD	CP2S1000□
18	1	PRECHARGE END CAP	CP2S1001CRN
17	1	WIPER RING	WP006□□
16	2	BACK UP RING	BU012SP
15	1	□-RING	V□90012
14	1	LOCK COLLAR ASS'Y	CP1002
13	1	PIN	CP1000
12	1	PISTON	CP2S1003
11	2	BACK UP	BU222SP
10	1	80% INDICATOR CAP	CP2S1007
9	6	JAM NUT	MA036□X
8	3	80% INDICATOR BOLT	CP2S1008□
7	1	CYLINDER	CP2S1004□
6	6	TIE BOLT	CP2S1005□
5	1	PRODUCT END CAP	CP2S1002CRN
4	3	□-RING	V□90222
3	2	BURST DISC SET	MR002□□
2	2	BURSTING RELIEF CAP	R1000
1	6	CROWN NUT	MA029□X
NO.	REQ.	DESCRIPTION	PART NUMBER

-	1	PRODUCT END CAP W/ PURGE PORT	CP2S1012
OPTIONAL			

DATE	REV.	RECORD	AUTHORIZED	DRAFTER	CHECKED
07/30/07	-	DR #7754	GB	GL	-



**WELKER®**

THIS DOCUMENT CONTAINS CONFIDENTIAL INFORMATION WHICH IS THE PROPERTY OF WELKER ENGINEERING COMPANY (WEC). THIS DOCUMENT AND THE INFORMATION WHICH IT CONTAINS SHALL NOT BE USED, EXPLOITED OR SOLD WITHOUT THE EXPRESS WRITTEN PERMISSION OF WEC. SHALL NOT BE COPIED OR OTHERWISE REPRODUCED IN WHOLE OR IN PART AND SHALL NOT BE REVEALED OR DISCLOSED TO THIRD PARTIES. THIS DOCUMENT SHALL REMAIN THE PROPERTY OF WEC AND SHALL BE RETURNED UPON DEMAND.

P.O. BOX 138  
 13839 WEST BELLFORT  
 SUGARLAND, TEXAS 77487-0138  
 PHONE (281) 491-2331  
 FAX (281) 491-8344

TITLE: CONSTANT PRESSURE CYLINDER STYLE: CP-2S SOLID INDICATOR			
COMPANY:			
DRAWN BY: GL	SCALE: 1:2	APPROVED BY:	DRAWING NUMBER: AD040C□CRN
DATE: 7/30/07			SHEET: 2 of 2
		REV: -	