

MATERIAL:

316 S.S.

FINISH:

N/A

TO PROTECT SENSITIVE PIPELINE EQUIPMENT, WELKER ENGINEERING COMPANY RECOMMENDS INSTALLING ANY PRODUCT PROTRUDING INTO THE PIPELINE UPSTREAM OF THE STRAINER.

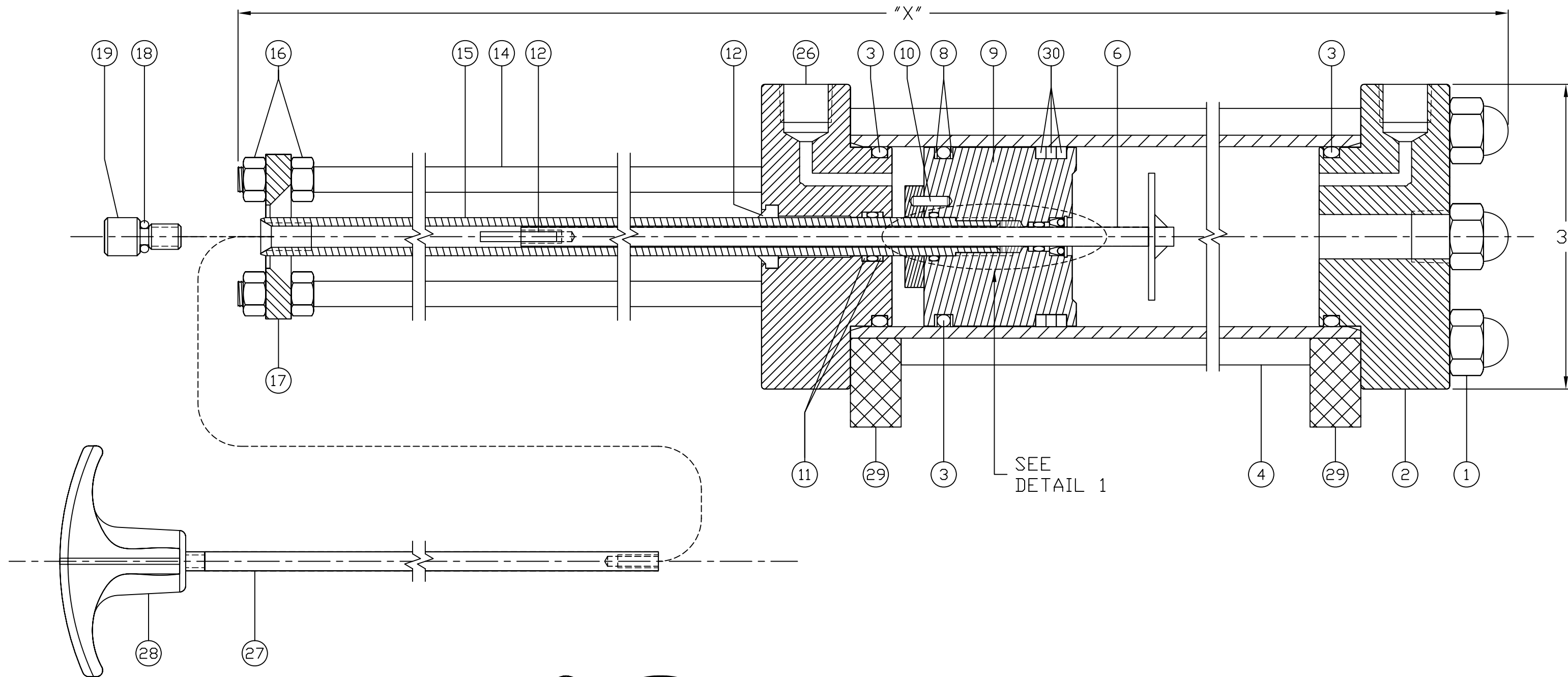
DRAWING NUMBER:

AD066C0CRN

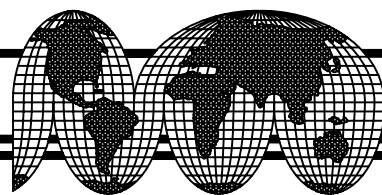
REV:

-

MAOP: 1800 PSIG @ -20°F TO 100°F
TEST PRESSURE: 3600 PSIG



DATE	REV.	RECORD	AUTHORIZED	DRAFTER	CHECKED
07/30/07	-	DR #7754	GB	GL	



WELKER®

THIS DOCUMENT CONTAINS CONFIDENTIAL INFORMATION WHICH IS THE PROPERTY OF WELKER ENGINEERING COMPANY (WEC). THIS DOCUMENT AND THE INFORMATION WHICH IT CONTAINS SHALL NOT BE USED, EXPLOITED OR SOLD WITHOUT THE EXPRESS WRITTEN PERMISSION OF WEC. SHALL NOT BE COPIED OR OTHERWISE REPRODUCED IN WHOLE OR IN PART AND SHALL NOT BE REVEALED OR DISCLOSED TO THIRD PARTIES. THIS DOCUMENT SHALL REMAIN THE PROPERTY OF WEC AND SHALL BE RETURNED UPON DEMAND

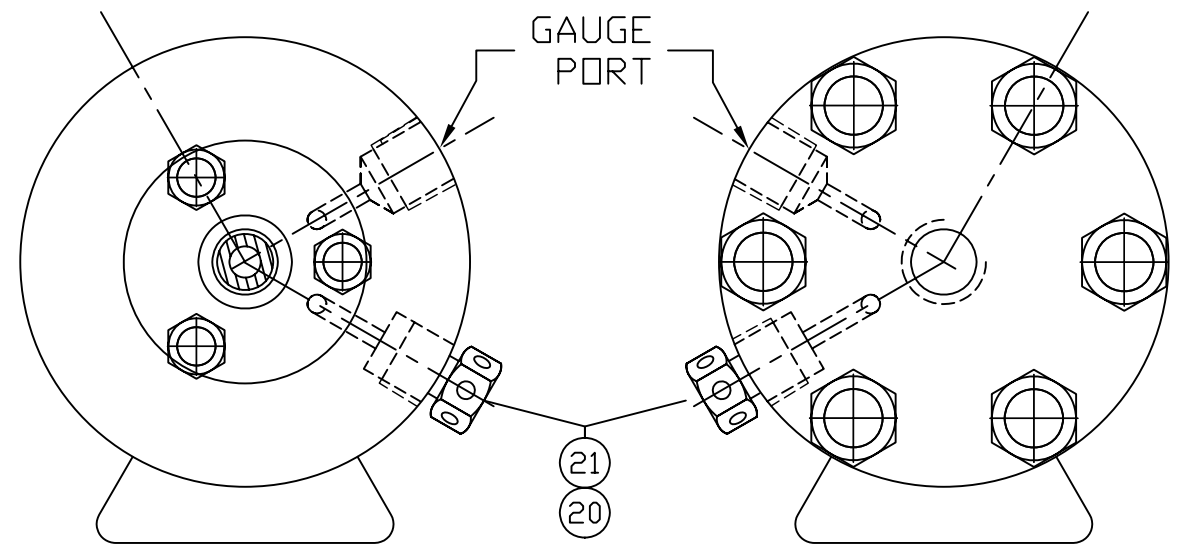
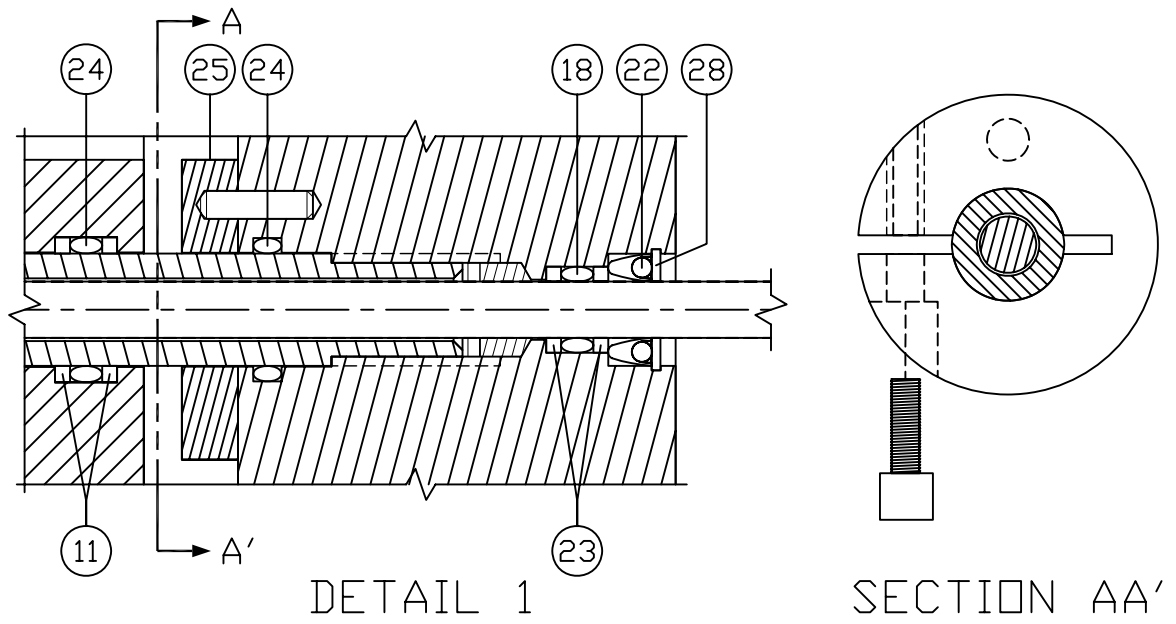
P.O. BOX 138
13839 WEST BELLFORT
SUGARLAND, TEXAS 77487-0138
PHONE (281) 491-2331
FAX (281) 491-8344

TITLE: CONSTANT PRESSURE SAMPLE CYLINDER
STYLE CP-24
VORTEX MIXER

COMPANY:			
DRAWN BY:	SCALE:	APPROVED BY:	DRAWING NUMBER:
GL	NS		AD066C0CRN
DATE:			SHEET:
7/30/07			1 of 2
			REV:
			-

MAOP: 1800 PSIG @ -20°F TO 100°F

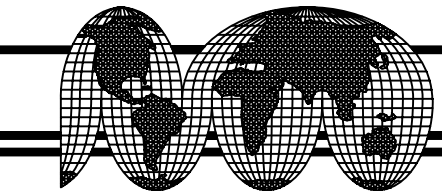
TEST PRESSURE: 3600 PSIG



I	1000	48.05" (1221)
H	400	23.28" (591)
G	250	17.42" (442)
E	800	44.83" (1139)
D	500	28.53" (725)
C	300	20.55" (522)
B	150	13.45" (342)
A	100	11.00" (279)
O	50	8.63" (219)
[]	VOLUME [cc]	OVERALL LENGTH [inch - (mm)]

-	1	PRODUCT END CAP w/ PURGE PORT	CP2S1012
OPTIONAL PRODUCT END CAP			
30	3	BACK UP	BU222SL
29	2	FEET	CP2S1009
28	1	T-HANDLE	MM02900
27	1	MIXING ROD	CP2M1001[]
26	1	PRECHARGE END CAP	CP2S1001CRN
25	1	LOCK COLLAR AS'Y	CP1002
24	2	O-RINGS	BS004
23	2	BACK UP	BU0080S
22	1	BAL SEAL	4
21	2	BURST DISC SET	4
20	2	BURST RELIEF CAP	R1000
19	1	INDICATOR ROD CAP	CP2M10000
18	2	O-RING	V090008
17	1	80% INDICATOR CAP	CP2S1007
16	6	HEX JAM NUT	MA0360X
15	1	INDICATOR ROD	CP2M1002[]
14	3	80% INDICATOR BOLT	CP2S1008[]
13	1	HEX SOCK.SET SCREW	MA092FX
12	1	WIPER RING	WP00600
11	2	BACK UP RING	BU012SP
10	1	PIN	CP1000
9	1	PISTON	CP2M1003
8	2	BACK UP SPIRAL	BU222SP
7	1	SNAP RING	RR127IX
6	1	PADDLE ROD ASSEMBLY	CP2M1008[]
5	1	CYLINDER	CP2S1004[]
4	6	TIE BOLTS	CP2S1005[]
3	3	O-RING	V090222
2	1	PRODUCT END CUP	CP2S1002CRN
1	6	CROWN NUT	MA0290X
NO.	REQ.	DESCRIPTION	PART NO.

DATE	REV.	RECORD	AUTHORIZED	DRAFTER	CHECKED
07/30/07	-	DR #7754	GB	GL	



WELKER®

THIS DOCUMENT CONTAINS CONFIDENTIAL INFORMATION WHICH IS THE PROPERTY OF WELKER ENGINEERING COMPANY (WEC). THIS DOCUMENT AND THE INFORMATION WHICH IT CONTAINS SHALL NOT BE USED, EXPLOITED OR SOLD WITHOUT THE EXPRESS WRITTEN PERMISSION OF WEC. SHALL NOT BE COPIED OR OTHERWISE REPRODUCED IN WHOLE OR IN PART AND SHALL NOT BE REVEALED OR DISCLOSED TO THIRD PARTIES. THIS DOCUMENT SHALL REMAIN THE PROPERTY OF WEC AND SHALL BE RETURNED UPON DEMAND.

P.O. BOX 138
13839 WEST BELLFORT
SUGARLAND, TEXAS 77487-0138
PHONE (281) 491-2331
FAX (281) 491-8344

TITLE: CONSTANT PRESSURE SAMPLE CYLINDER STYLE CP-24 VORTEX MIXER			
COMPANY:			
DRAWN BY: GL	SCALE: NS	APPROVED BY:	DRAWING NUMBER: AD066C0CRN
DATE: 7/30/07		SHEET: 2 of 2	REV: -