

MATERIAL:
316 S.S.

FINISH:
N/A

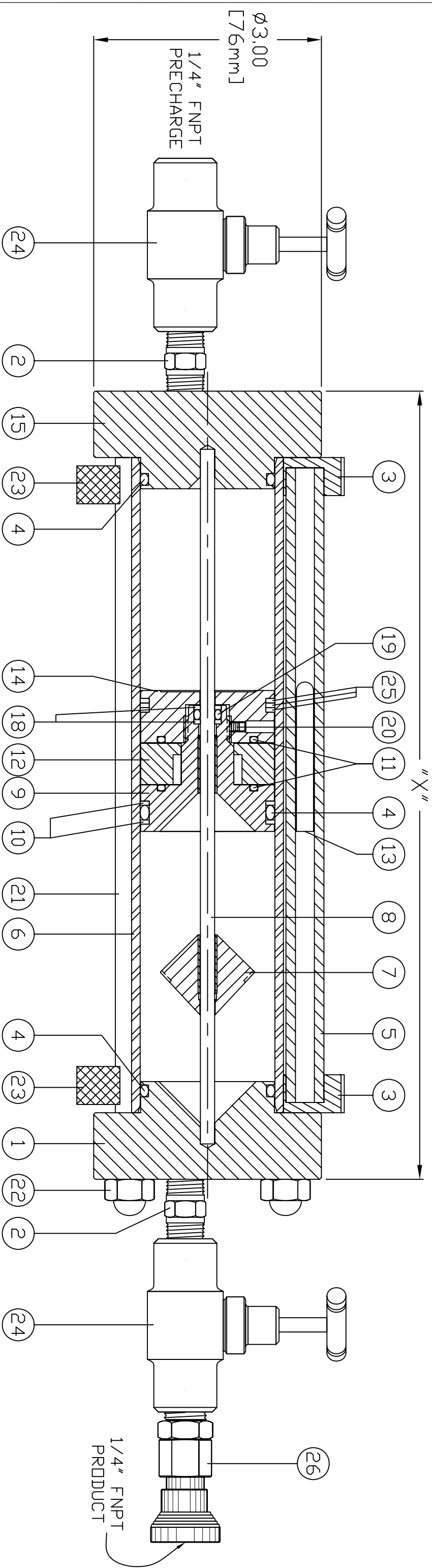
TO PROTECT SENSITIVE PIPELINE EQUIPMENT, WELKER INC
RECOMMENDS INSTALLING ANY PRODUCT PROTRUDING INTO THE
PIPELINE UPSTREAM OF THE STRAINER.

DRAWING NUMBER:
AD071CACRN

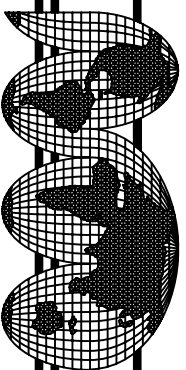
REV:
D

MAOP: 1800 PSIG @ -20°F TO 100°F
HYDRO TEST PRESSURE: 3600 PSIG
VOLUMES OVER 1000cc, NOT D.O.T. EXEMPT

CYLINDER CRN NO: ALBERTA-0H08251.2



DATE	REV.	RECORD	AUTHORIZED	DRAFTER	CHECKED
11/27/06	-	DR# 7754	GB	GL	GB
1/17/08	A	CN# 6150	TDP	EBC	TDP
11/20/08	B	CN# 6682	TDP	EBC	TDP
3/4/10	C	CN# 7280	TDP	MC	JL
2/2/11	D	CN# 7906	TDP	MC	PKN
7/13/11	D	CN# 8160	TDP	MC	JL



WELKER

THIS DOCUMENT CONTAINS CONFIDENTIAL INFORMATION WHICH IS THE PROPERTY OF WELKER INC. THIS DOCUMENT AND THE INFORMATION WHICH IT CONTAINS SHALL NOT BE USED, REPRODUCED OR SOLD WITHOUT THE EXPRESS WRITTEN PERMISSION OF WELKER INC. SHALL NOT BE COPIED OR REPRODUCED IN ANY MANNER OR BY ANY MEANS OR NOT BE REVEALED OR DISCLOSED TO THIRD PARTIES. THIS DOCUMENT SHALL REMAIN THE PROPERTY OF WELKER AND SHALL BE RETURNED UPON DEMAND.

13839 WEST BELLFORT
SUGAR LAND, TEXAS 77498-1671
PHONE (281) 491-2331
FAX (281) 491-8344

TITLE:
CONSTANT PRESSURE CYLINDER
STYLE: CP-2GM

COMPANY:

DRAWN BY: SCALE: APPROVED BY:

GL STF

DATE: 11/27/06

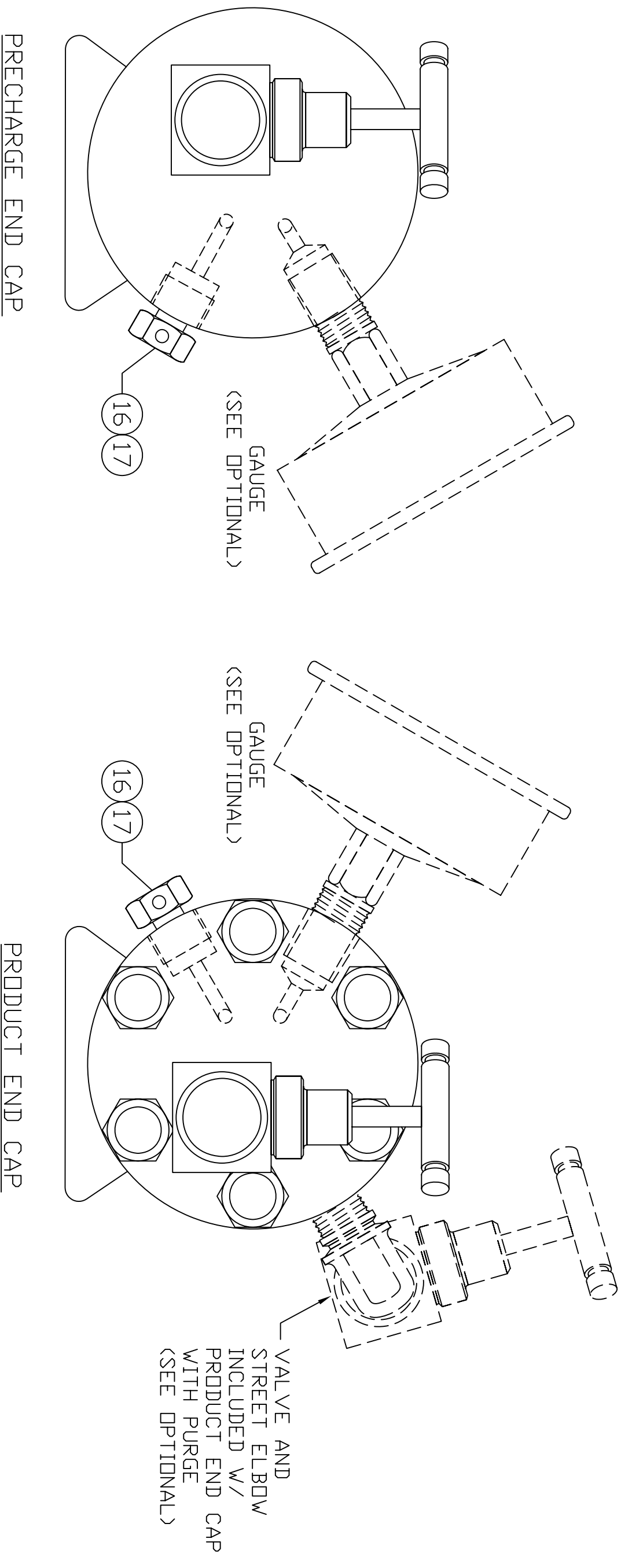
DRAWING NUMBER:

AD071CACRN

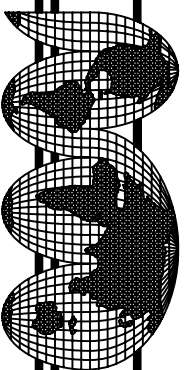
SHEET: 1 of 4
REV: D

MAOP: 1800 PSIG @ -20°F TO 100°F
HYDRO TEST PRESSURE: 3600 PSIG
VOLUMES OVER 1000cc, NOT D.O.T. EXEMPT

CYLINDER CRN NO: ALBERTA-0H08251.2



DATE	REV.	RECORD	AUTHORIZED	DRAFTER	CHECKED
11/27/06	-	DR# 7754	GB	GL	GB
1/17/08	A	CN# 6150	TDP	EBC	TDP
11/20/08	B	CN# 6682	TDP	EBC	TDP
3/4/10	C	CN# 7280	TDP	MC	JL
2/2/11	D	CN# 7906	TDP	MC	PKN
7/13/11	D	CN# 8160	TDP	MC	JL



WELKER

TITLE: CONSTANT PRESSURE CYLINDER
 COMPANY: STYLE: CP-2GM

13839 WEST BELLFORT
 SUGAR LAND, TEXAS 77498-1671
 PHONE (281) 491-2331
 FAX (281) 491-8344

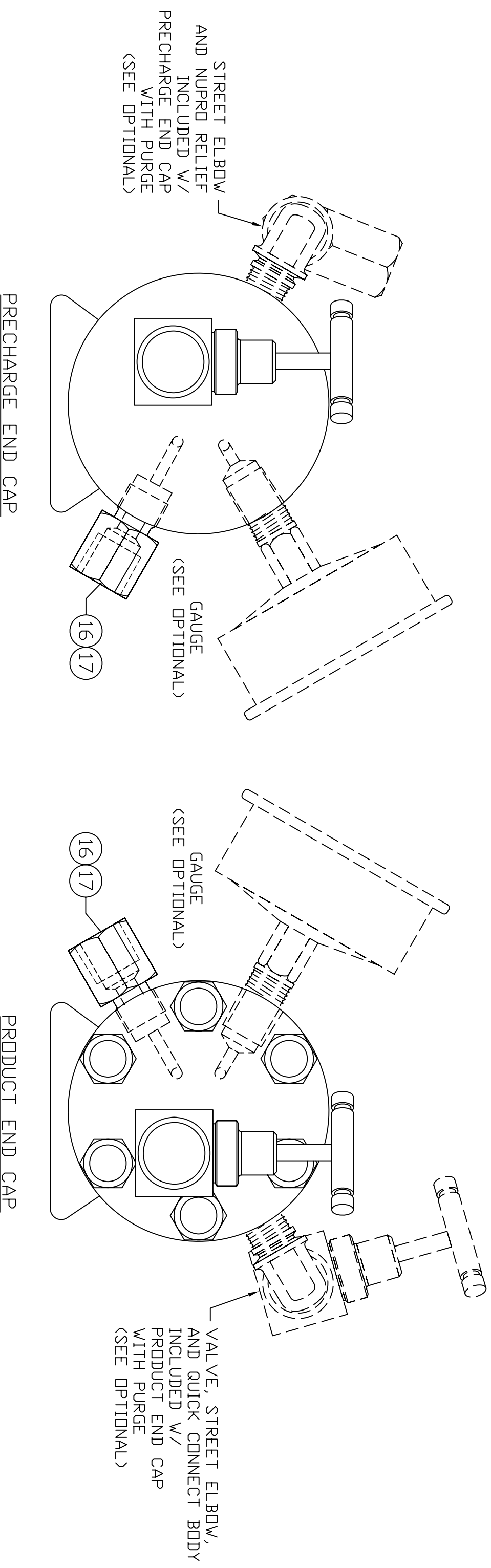
DRAWN BY:	SCALE:	APPROVED BY:	DRAWING NUMBER:
GL	STF		AD071CACRN
DATE:			SHEET: 2 of 4
11/27/06			REV: D

THIS DOCUMENT CONTAINS CONFIDENTIAL INFORMATION WHICH IS THE PROPERTY OF WELKER INC. THIS DOCUMENT AND THE INFORMATION WHICH IT CONTAINS SHALL NOT BE USED, EXPLOITED OR SOLD WITHOUT THE EXPRESS WRITTEN PERMISSION OF WELKER INC. SHALL NOT BE COPIED OR REPRODUCED IN ANY MANNER WITHOUT THE WRITTEN PERMISSION OF WELKER INC. THIS DOCUMENT SHALL REMAIN THE PROPERTY OF WELKER INC. AND SHALL BE RETURNED UPON DEMAND.

MATERIAL: 316 S.S.	FINISH: N/A	TO PROTECT SENSITIVE PIPELINE EQUIPMENT, WELKER INC RECOMMENDS INSTALLING ANY PRODUCT PROTRUDING INTO THE PIPELINE UPSTREAM OF THE STRAINER.	DRAWING NUMBER: AD071CACRN	REV: D
-----------------------	----------------	--	-------------------------------	-----------

**MAOP: 1800 PSIG @ -20°F TO 100°F
HYDRO TEST PRESSURE: 3600 PSIG
VOLUMES OVER 1000cc, NOT D.O.T. EXEMPT**

CYLINDER CRN NO: ALBERTA-0H08251.2



DATE	REV.	RECORD	AUTHORIZED	DRAFTER	CHECKED
11/27/06	-	DR# 7754	GB	GL	GB
1/17/08	A	CN# 6150	TDP	EBC	TDP
11/20/08	B	CN# 6682	TDP	EBC	TDP
3/4/10	C	CN# 7280	TDP	MC	JL
2/2/11	D	CN# 7906	TDP	MC	PKN
7/13/11	D	CN# 8160	TDP	MC	JL



WELKER

THIS DOCUMENT CONTAINS CONFIDENTIAL INFORMATION WHICH IS THE PROPERTY OF WELKER INC. THIS DOCUMENT AND THE INFORMATION WHICH IT CONTAINS SHALL NOT BE USED, EXPLOITED OR SOLD WITHOUT THE EXPRESS WRITTEN PERMISSION OF WELKER INC. SHALL NOT BE COPIED OR REPRODUCED IN ANY MANNER OR BY ANY MEANS OR NOT BE REVEALED OR DISCLOSED TO THIRD PARTIES. THIS DOCUMENT SHALL REMAIN THE PROPERTY OF WELKER AND SHALL BE RETURNED UPON DEMAND.

13839 WEST BELLFORT
SUGAR LAND, TEXAS 77498-1671
PHONE (281) 491-2331
FAX (281) 491-8344

TITLE: CONSTANT PRESSURE CYLINDER		DRAWING NUMBER: AD071CACRN	
COMPANY: WELKER		SHEET: 3 of 4	
DRAWN BY: GL	SCALE: STF	APPROVED BY:	REV: D
DATE: 11/27/06			

**MAOP: 1800 PSIG @ -20°F TO 100°F
 HYDRO TEST PRESSURE: 3600 PSIG
 VOLUMES OVER 1000cc, NOT D.O.T. EXEMPT**

CYLINDER CRN NO: ALBERTA-0H08251.2

NO. REQ.	2	GAUGE, 1/4" CBM LF 2000#	GA006DDCRN
		DESCRIPTION	PART NO.
		OPTIONAL: GAUGE, 2000 PSI	

NO. REQ.	1	QC FEMALE BODY	MF587JDDCRN
	1	QC MALE BODY	MF586JDDCRN
		DESCRIPTION	PART NO.
		TABLE 5: QUICK CONNECTS (26)	

NO. REQ.	1	ADJUSTABLE RELIEF	MR001JDDCRN
		DESCRIPTION	PART NO.
		OPTIONAL: ADJUSTABLE RELIEF 1500-2250 PSI	

J	200cc	10.50" (267)
I	1000cc	29.00" (737)
H	400cc	14.53" (369)
G	250cc	11.25" (286)
F	1050cc	30.88" (784)
E	800cc	26.38" (670)
D	500cc	17.38" (441)
C	300cc	13.00" (330)
B	150cc	9.00" (229)
A	100cc	7.58" (193)
0	50cc	6.38" (162)
[]	VOLUME	"X" [INCH/mm]

NO. REQ.	1	QC MALE BODY	MF586JDDCRN
	1	STREET ELBOW, 1/4"	MF066DXCRN
	1	VALVE, 1/4" M/F	VL575JDDCRN
	1	PRODUCT END CAP W/ PURGE PORT	CP2GM1036CRN
		DESCRIPTION	PART NO.
		OPTIONAL: PRODUCT END CAP W/PURGE	

NO. REQ.	1	ADJUSTABLE RELIEF	MR001JDDCRN
	1	STREET ELBOW, 1/4"	MF066DXCRN
	1	PRECHARGE END CAP W/ PURGE PORT	CP2GM1029CRN
		DESCRIPTION	PART NO.
		OPTIONAL: PRECHARGE END CAP W/ PURGE	

NO. REQ.	1	STREET ELBOW, 1/4"	MF066DXCRN
	1	VALVE, 1/4" M/F	VL575JDDCRN
	1	PRODUCT END CAP W/ PURGE PORT	CP2GM1036CRN
		DESCRIPTION	PART NO.
		OPTIONAL: PRODUCT END CAP W/PURGE	
	1	PRECHARGE END CAP W/ PURGE PORT	CP2GM1029CRN
		DESCRIPTION	PART NO.
		OPTIONAL: PRECHARGE END CAP W/ PURGE	

NO. REQ.	-	BURST RELIEF CAP (THREADED)	R1006
	-	BURST RELIEF CAP (STD)	R1000
		DESCRIPTION	PART NO.
		TABLE 4: BURST RELIEF (17)	

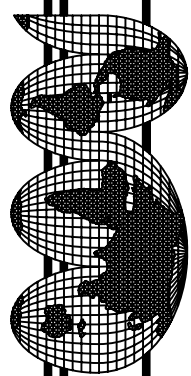
NO. REQ.	19	HD90106	BUNA
		KD106	KALREZ
		VD70106	VITON
		PART NO.	COMPOUND
		TABLE 3: O-RING, 106	

NO. REQ.	11	HD70122	BUNA
		KD122	KALREZ
		VD70122	VITON
		PART NO.	COMPOUND
		TABLE 2: O-RING, 122	

NO. REQ.	4	HD90222	BUNA
		KD222	KALREZ
		VD90222	VITON
		PART NO.	COMPOUND
		TABLE 1: O-RING, 222	

26	1	QUICK CONNECT	SEE TABLE 5
25	3	BACK-UP RING	BU222SL
24	2	VALVE, 1/4" F/F	VL573JDDCRN
23	2	CYLINDER FOOT	CP2S1009
22	6	CROWN NUT	MA029DX
21	6	TIE BOLT	CP2S1005L
20	1	HEX SOCK SET SCREW 6-32 X 1/4" S.S.	MA038BX
19	1	O-RING, 106	SEE TABLE 3
18	2	BACK-UP RING	BU106DS
17	2	BURSTING RELIEF CAP	SEE TABLE 4
16	2	RUPTURE DISC	MR002DD
15	1	PRECHARGE END CAP	CP2GM1034CRN
14	1	PISTON, FEMALE	CP2GM1038
13	1	TRACKER MAGNET	CP2G1040
12	1	RING MAGNET ASS'Y	MAG06
11	2	O-RING, 122	SEE TABLE 2
10	2	BACK UP SPIRAL	BU222SP
9	1	PISTON, MALE	CP2GM1037
8	1	CYLINDER SAVER ROD	CP2GM1033L
7	1	MIXER	CP2GM1032
6	1	CYLINDER	CP2S1004L
5	1	TRACKER TUBE	CP2G1028L
4	3	O-RING, 222	SEE TABLE 1
3	2	CLIP, TRACKER MOLDED	MM031DA
2	2	HEX NIPPLE, 1/4"	MF004DXCRN
1	1	PRODUCT END CAP	CP2GM1035CRN
NO. REQ.		DESCRIPTION	PART NO.

DATE	REV.	RECORD	AUTHORIZED	DRAFTER	CHECKED
11/27/06	-	DR# 7754	GB	GL	GB
1/17/08	A	CN# 6150	TDP	EBC	TDP
11/20/08	B	CN# 6682	TDP	EBC	TDP
3/4/10	C	CN# 7280	TDP	MC	JL
2/2/11	D	CN# 7906	TDP	MC	PKN
7/13/11	D	CN# 8160	TDP	MC	JL



WELKER

THIS DOCUMENT CONTAINS CONFIDENTIAL INFORMATION WHICH IS THE PROPERTY OF WELKER INC. THIS DOCUMENT AND THE INFORMATION WHICH IT CONTAINS SHALL NOT BE USED, REPRODUCED OR SOLD WITHOUT THE EXPRESS WRITTEN PERMISSION OF WELKER INC. SHALL NOT BE COPIED OR REPRODUCED IN ANY MANNER WITHOUT THE WRITTEN PERMISSION OF WELKER INC. THIS DOCUMENT SHALL REMAIN THE PROPERTY OF WELKER INC. AND SHALL BE RETURNED UPON DEMAND.

13839 WEST BELLFORT SUGAR LAND, TEXAS 77498-1671
 PHONE (281) 491-2331
 FAX (281) 491-8344

TITLE: CONSTANT PRESSURE CYLINDER
 STYLE: CP-2GM

DRAWN BY: GL SCALE: STF
 DATE: 11/27/06

APPROVED BY: [Signature] DRAWING NUMBER: AD071CACRN
 SHEET: 4 OF 4 REV: D