

MATERIAL:
316/316L

FINISH:
N/A

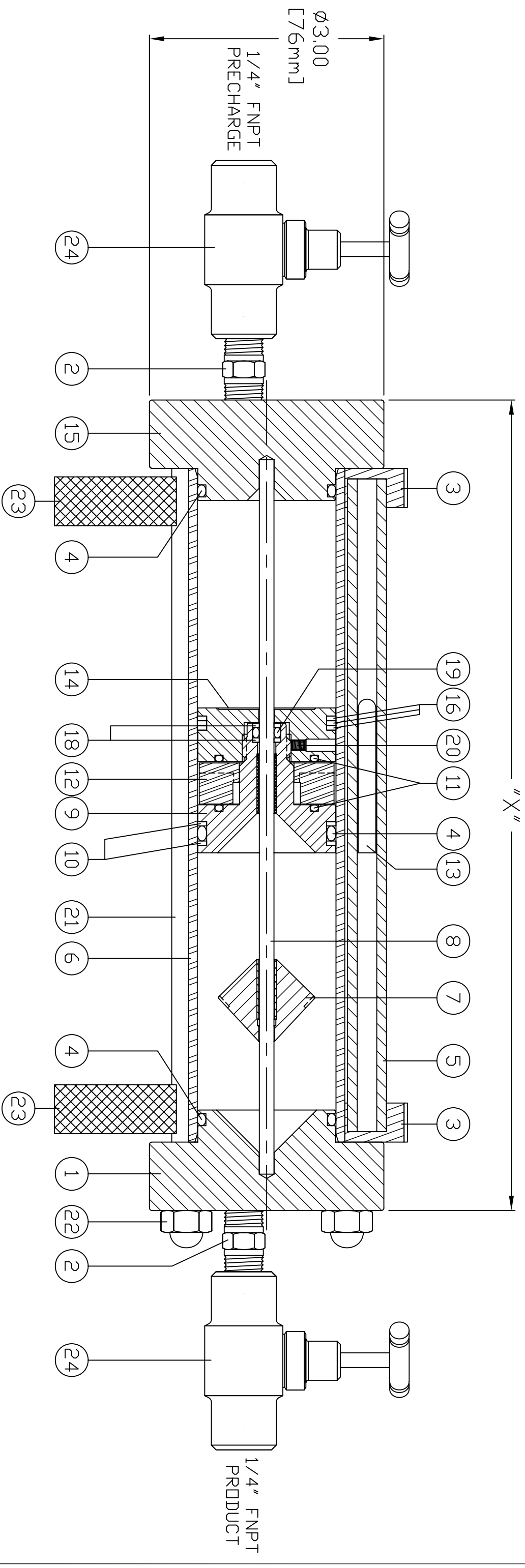
TO PROTECT SENSITIVE PIPELINE EQUIPMENT, WELKER INC
RECOMMENDS INSTALLING ANY PRODUCT PROTRUDING INTO THE
PIPELINE UPSTREAM OF THE STRAINER.

DRAWING NUMBER:
AD071CACRN8

REV:
-

MAOP: 1800 PSIG @ -20°F TO 100°F
HYDRO TEST PRESSURE: 3600 PSIG
VOLUMES OVER 1000cc, NOT D.O.T. EXEMPT

CYLINDER CRN NO: 0H12078.8



DATE	REV.	RECORD	AUTHORIZED	DRAFTER	CHECKED
9/26/12	-	DR# 9585	TDP	MC	JL



THIS DOCUMENT CONTAINS CONFIDENTIAL INFORMATION WHICH IS THE PROPERTY OF WELKER INC. THIS DOCUMENT AND THE INFORMATION WHICH IT CONTAINS SHALL NOT BE USED, REPRODUCED OR SOLD WITHOUT THE EXPRESS WRITTEN PERMISSION OF WELKER INC. SHALL NOT BE COPIED OR REPRODUCED IN ANY MANNER AND THIS INFORMATION SHALL REMAIN THE PROPERTY OF WELKER INC AND SHALL BE RETURNED UPON DEMAND

WELKER

TITLE: CONSTANT PRESSURE CYLINDER
STYLE: CP-2GM
COMPANY:

13839 WEST BELLFORT
SUGAR LAND, TEXAS 77498-1671
PHONE (281) 491-2331
FAX (281) 491-8344

DRAWN BY:	SCALE:	APPROVED BY:	DRAWING NUMBER:
MC	STF		AD071CACRN8
DATE:			SHEET:
9/26/2012			1 of 4

MATERIAL:
316/316L

FINISH:
N/A

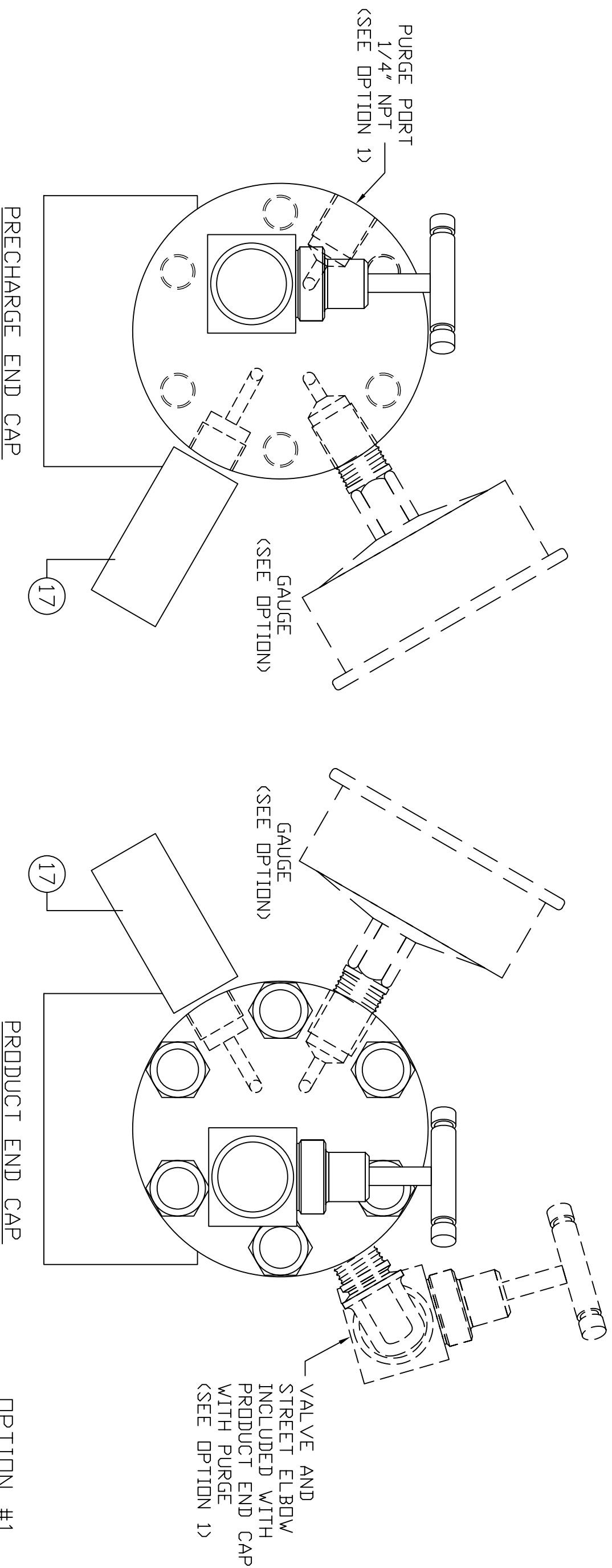
TO PROTECT SENSITIVE PIPELINE EQUIPMENT, WELKER INC RECOMMENDS INSTALLING ANY PRODUCT PIPELINE UPSTREAM OF THE STRAINER.

DRAWING NUMBER:
AD071CACRN8

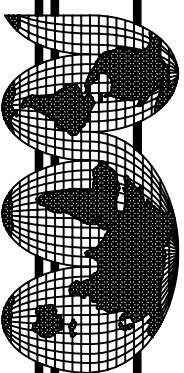
REV: -

MAOP: 1800 PSIG @ -20°F TO 100°F
HYDRO TEST PRESSURE: 3600 PSIG
VOLUMES OVER 1000cc, NOT D.O.T. EXEMPT

CYLINDER CRN NO: 0H12078.8



DATE	REV.	RECORD	AUTHORIZED	DRAFTER	CHECKED
9/26/12	-	DR# 9585	TDP	MC	JL



THIS DOCUMENT CONTAINS CONFIDENTIAL INFORMATION WHICH IS THE PROPERTY OF WELKER INC. THIS DOCUMENT AND THE INFORMATION WHICH IT CONTAINS SHALL NOT BE USED, REPRODUCED OR SOLD WITHOUT THE EXPRESS WRITTEN PERMISSION OF WELKER INC. SHALL NOT BE COPIED OR REPRODUCED IN ANY MANNER AND THE INFORMATION CONTAINED HEREIN SHALL REMAIN THE PROPERTY OF WELKER INC AND SHALL BE RETURNED UPON DEMAND

WELKER

13839 WEST BELLFORT
SUGAR LAND, TEXAS 77498-1671
PHONE (281) 491-2331
FAX (281) 491-8344

TITLE: **CONSTANT PRESSURE CYLINDER**
STYLE: CP-2GM
COMPANY:

DRAWN BY: MC	SCALE: STF	APPROVED BY:	DRAWING NUMBER: AD071CACRN8
DATE: 9/26/2012			SHEET: 2 of 4
			REV: -

MATERIAL:
316/316L

FINISH:
N/A

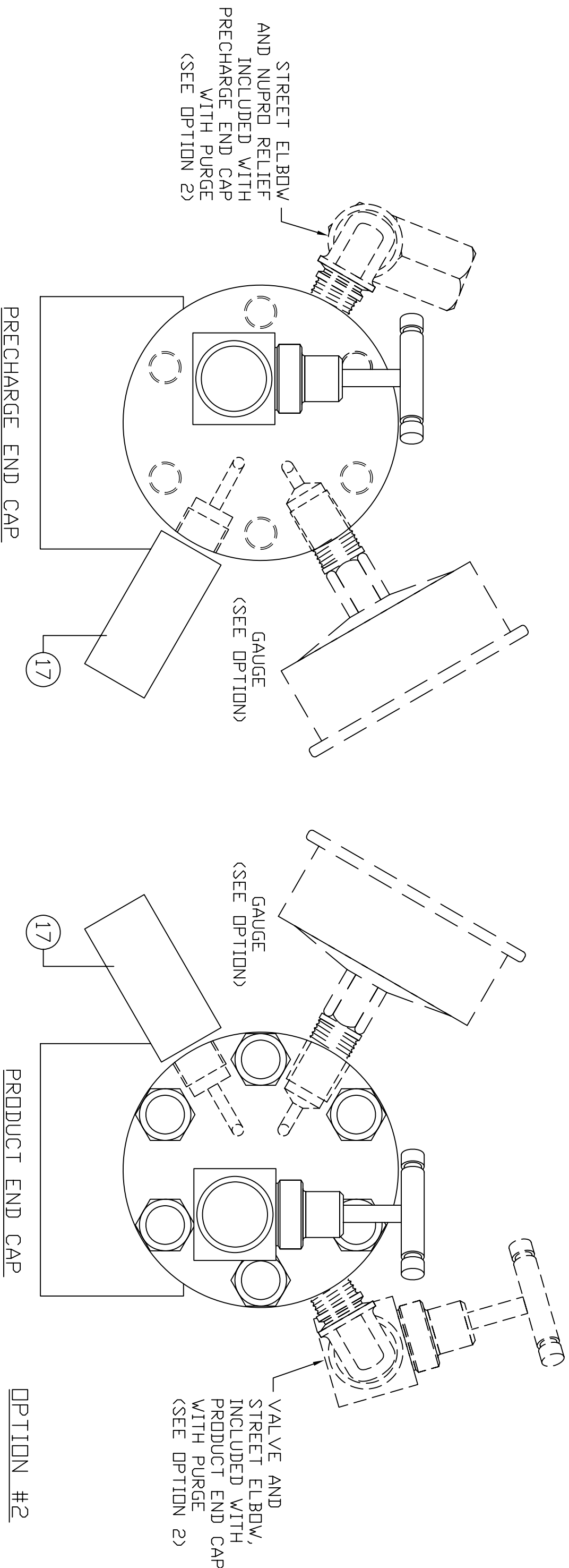
TO PROTECT SENSITIVE PIPELINE EQUIPMENT, WELKER INC
RECOMMENDS INSTALLING ANY PRODUCT PROTRUDING INTO THE
PIPELINE UPSTREAM OF THE STRAINER.

DRAWING NUMBER:
AD071CACRN8

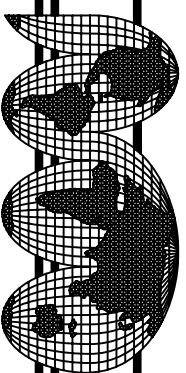
REV:
-

MAOP: 1800 PSIG @ -20°F TO 100°F
HYDRO TEST PRESSURE: 3600 PSIG
VOLUMES OVER 1000cc, NOT D.O.T. EXEMPT

CYLINDER CRN NO: 0H12078.8



DATE	REV.	RECORD	AUTHORIZED	DRAFTER	CHECKED
9/26/12	-	DR# 9585	TDP	MC	JL



WELKER

THIS DOCUMENT CONTAINS CONFIDENTIAL INFORMATION WHICH IS THE PROPERTY OF WELKER INC. THIS DOCUMENT AND THE INFORMATION WHICH IT CONTAINS SHALL NOT BE USED, REPRODUCED OR SOLD WITHOUT THE EXPRESS WRITTEN PERMISSION OF WELKER INC. SHALL NOT BE COPIED OR REPRODUCED IN ANY MANNER AND THE PARTS THEREOF SHALL NOT BE REVEALED OR DISCLOSED TO THIRD PARTIES. THIS DOCUMENT SHALL REMAIN THE PROPERTY OF WELKER INC AND SHALL BE RETURNED UPON DEMAND

13839 WEST BELLFORT
SUGAR LAND, TEXAS 77498-1671
PHONE (281) 491-2331
FAX (281) 491-8344

TITLE
CONSTANT PRESSURE CYLINDER
STYLE: CP-2GM
COMPANY:

DRAWN BY: MC
SCALE: STF
DATE: 9/26/2012
APPROVED BY:

DRAWING NUMBER:
AD071CACRN8
SHEET:
3 of 4
REV:
-

MATERIAL:
316/316L

FINISH:
N/A

TO PROTECT SENSITIVE PIPELINE EQUIPMENT, WELKER INC RECOMMENDS INSTALLING ANY PRODUCT PIPELINE UPSTREAM OF THE STRAINER.

DRAWING NUMBER:
AD071CACRN8

REV:
-

MAOP: 1800 PSIG @ -20°F TO 100°F HYDRO TEST PRESSURE: 3600 PSIG VOLUMES OVER 1000cc, NOT D.O.T. EXEMPT

CYLINDER CRN NO: 0H12078.8

-	2	Gauge, 1/4" CBM LF 2000#	GA006DDCRN8
NO. REQ.		DESCRIPTION	PART NO.
OPTION: GAUGE, 2000 PSI			

-	1	STREET ELBOW, 1/4"	MF066DXCRN8
-	1	VALVE, 1/4" M/F	VL575CJDCRN8
-	1	PRODUCT END CAP W/ 1/4"NPT PURGE PORT	CP2GM1036CRN8
NO. REQ.		DESCRIPTION	PART NO.
OPTION #2: PRODUCT END CAP			

-	1	NUPRD RELIEF 1/4"	MR001DDCRN8
NO. REQ.		DESCRIPTION	PART NO.
OPTION: NUPRD RELIEF 1500-2250 PSI			

-	1	NUPRD RELIEF 1/4"	MR001DDCRN8
-	1	STREET ELBOW, 1/4"	MF066DXCRN8
-	1	PRECHARGE END CAP W/ 1/4"NPT PURGE PORT	CP2GM1029CRN8
NO. REQ.		DESCRIPTION	PART NO.
OPTION #2: PRECHARGE END CAP			

J	200cc	10.50" (267)
I	1000cc	29.00" (737)
H	400cc	14.53" (369)
G	250cc	11.25" (286)
F	1050cc	30.88" (784)
E	800cc	26.38" (670)
D	500cc	17.38" (441)
C	300cc	13.00" (330)
B	150cc	9.00" (229)
A	100cc	7.58" (193)
0	50cc	6.38" (162)
[]	VOLUME	"X" [INCH/mm]

-	1	STREET ELBOW, 1/4"	MF066DXCRN8
-	1	VALVE, 1/4" M/F	VL575CJDCRN8
-	1	PRODUCT END CAP W/ 1/4"NPT PURGE PORT	CP2GM1036CRN8
NO. REQ.		DESCRIPTION	PART NO.
OPTION #1: PRODUCT END CAP			

-	1	PRECHARGE END CAP W/ 1/4"NPT PURGE PORT	CP2GM1029CRN8
NO. REQ.		DESCRIPTION	PART NO.
OPTION #1: PRECHARGE END CAP			

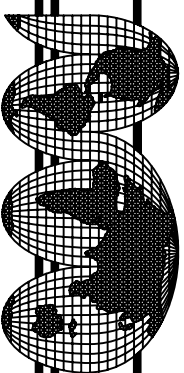
HD90106	BUNA
⑩ K0106	KALREZ
VD070106	VITON
ND. PART NO.	COMPOUN
TABLE #3: O-RING, 106	

HD70122	BUNA
⑪ K0122	KALREZ
VD070122	VITON
ND. PART NO.	COMPOUN
TABLE #2: O-RING, 122	

HD90222	BUNA
④ K0222	KALREZ
VD90222	VITON
ND. PART NO.	COMPOUN
TABLE #1: O-RING, 222	

24	2	VALVE, 1/4" F/F	VL573CJDCRN8
23	2	CYLINDER FOOT	CP2S1057
22	6	CROWN NUT, 3/8"-16	MA029DX
21	6	TIE BOLT	CP2S1005CJCRN8
20	1	HEX SOCK SET SCREW 6"-32 x 1/4" S.S.	MA038BX
19	1	O-RING, 106	SEE TABLE 3
18	2	BACK-UP RING	BU106DS
17	2	RELIEF	RV2CPCRN8
16	3	BACK-UP RING	BU222SL
15	1	PRECHARGE END CAP	CP2GM1034CRN8
14	1	PISTON, FEMALE	CP2GM1038
13	1	TRACKER MAGNET	CP2G1040
12	1	RING MAGNET ASS'Y	MAG06
11	2	O-RING, 122	SEE TABLE 2
10	2	BACK UP SPIRAL	BU222SP
9	1	PISTON, MALE	CP2GM1037
8	1	CYLINDER SAVER ROD	CP2GM1033CJ
7	1	MIXER	CP2GM1032
6	1	CYLINDER	CP2S1004CJCRN8
5	1	TRACKER TUBE	CP2G1028CJ
4	3	O-RING, 222	SEE TABLE 1
3	2	CLIP, TRACKER MOLDED	MM031DA
2	2	HEX NIPPLE, 1/4"	MF004DXCRN8
1	1	PRODUCT END CAP	CP2GM1035CRN8
NO. REQ.		DESCRIPTION	PART NO.

DATE	REV.	RECORD	AUTHORIZED	DRAFTER	CHECKED
9/26/12	-	DR# 9585	TDP	MC	JL



WELKER

TITLE: CONSTANT PRESSURE CYLINDER
STYLE: CP-2GM

COMPANY:

13839 WEST BELLFORT
SUGAR LAND, TEXAS 77498-1671
PHONE (281) 491-2331
FAX (281) 491-8344

DRAWN BY:	SCALE:	APPROVED BY:	DRAWING NUMBER:
MC	STF		AD071CACRN8
DATE:			SHEET: 4 OF 4
9/26/2012			REV: -

THIS DOCUMENT CONTAINS CONFIDENTIAL INFORMATION WHICH IS THE PROPERTY OF WELKER INC. THIS DOCUMENT AND THE INFORMATION WHICH IT CONTAINS SHALL NOT BE USED, REPRODUCED, COPIED, OR TRANSMITTED IN ANY MANNER WITHOUT THE EXPRESS WRITTEN PERMISSION OF WELKER INC. SHALL NOT BE CAPABLE OF BEING REPRODUCED OR DISCLOSED TO THIRD PARTIES. THIS DOCUMENT SHALL REMAIN THE PROPERTY OF WELKER INC AND SHALL BE RETURNED UPON DEMAND.