

MATERIAL:
316/316L

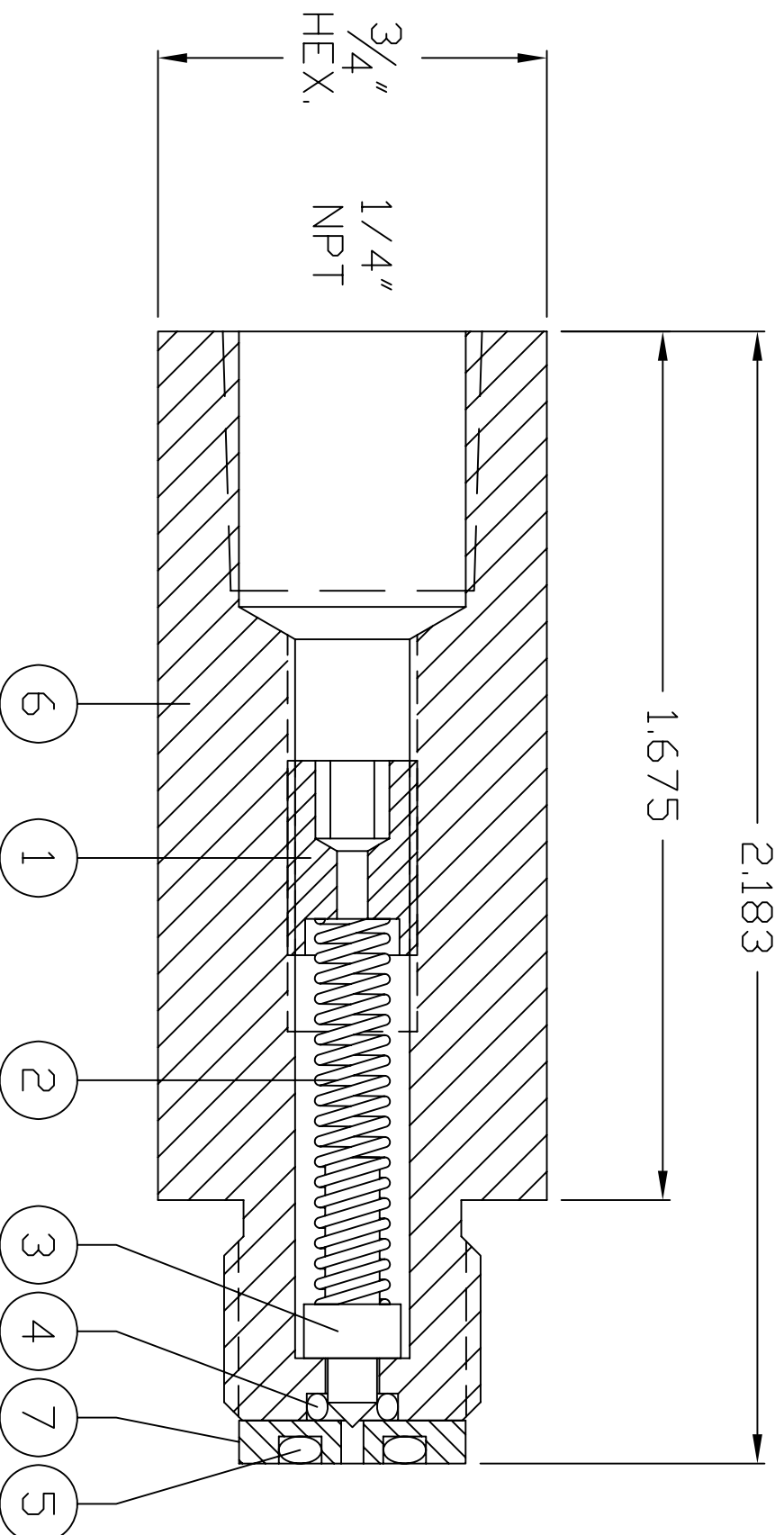
FINISH:
N/A

TO PROTECT SENSITIVE PIPELINE EQUIPMENT, WELKER INC
RECOMMENDS INSTALLING ANY PRODUCT PROTRUDING INTO THE
PIPELINE UPSTREAM OF THE STRAINER.

DRAWING NUMBER:
AD282BD.CRN8

REV: -

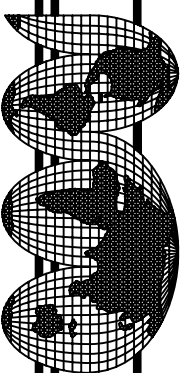
MAOP: 3600 PSIG @ -20°F TO 100°F



1900+	SPR105DX
900-1500	SPR07DX
500-1000	SPR06DX
150-800	SPR05DX
100-300	SPR04DX
RANGE (PSIG)	(2)

7	1	SEAT	RV2006CRN8
6	1	BODY	RV2005CRN8
5	1	D-RING, VITON	VD90007
4	1	D-RING, VITON	VD90003
3	1	POPPET	RV2000
2	1	SPRING	SEE TABLE
1	1	SPRING ADJUSTER	RV2004
NO.	REQ.	DESCRIPTION	PART NO.

DATE	REV.	RECORD	AUTHORIZED	DRAFTER	CHECKED
9/26/12	-	DR# 9585	TDP	MC	JL



WELKER®

THIS DOCUMENT CONTAINS CONFIDENTIAL INFORMATION WHICH IS THE PROPERTY OF WELKER INC. THIS DOCUMENT AND THE INFORMATION WHICH IT CONTAINS SHALL NOT BE USED, REPRODUCED OR SOLD WITHOUT THE EXPRESS WRITTEN PERMISSION OF WELKER INC. SHALL NOT BE COPIED OR REPRODUCED IN ANY MANNER AND THE INFORMATION CONTAINED HEREIN SHALL REMAIN THE PROPERTY OF WELKER INC AND SHALL BE RETURNED UPON DEMAND

13839 WEST BELLFORT
SUGAR LAND, TEXAS 77498-1671
PHONE (281) 491-2331
FAX (281) 491-8344

TITLE: ADJUSTABLE RELIEF
STYLE: RV-2CP
COMPANY:

DRAWN BY:	SCALE:	APPROVED BY:	DRAWING NUMBER:
MC	STF		AD282BD.CRN8
DATE:			SHEET: 1 of 1
9/26/2012			REV: -