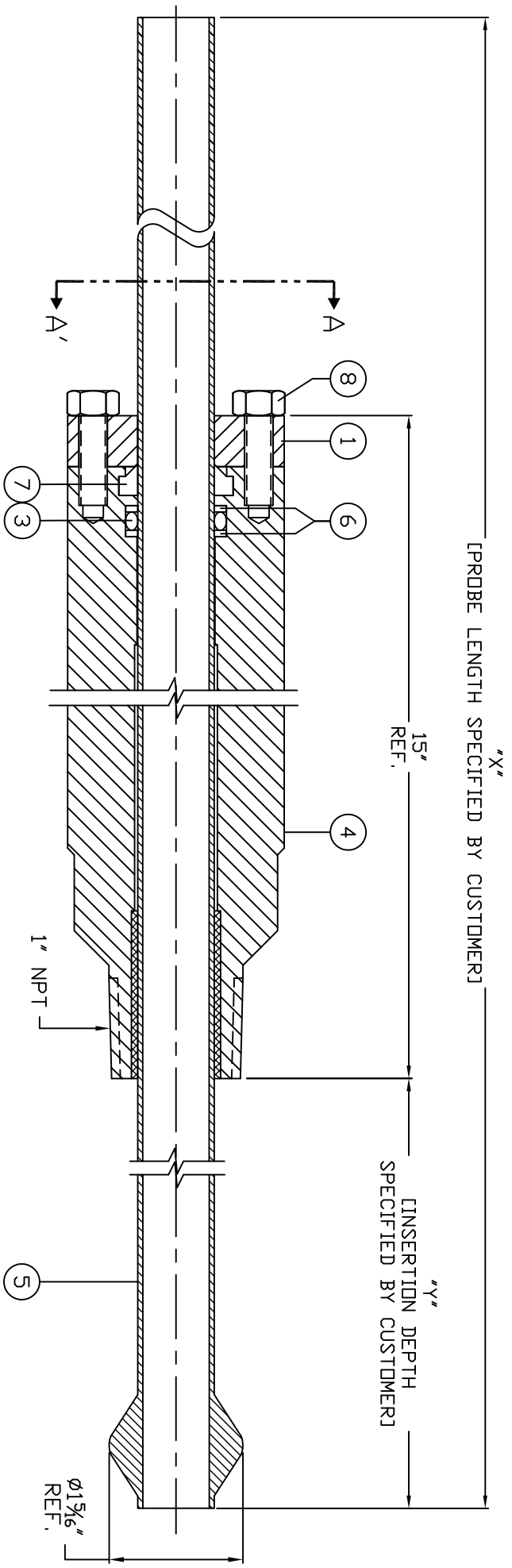


**MAOP: 240 PSIG @ -20°F TO 100°F**  
**MAOT: 400°F @ 160 PSIG**  
**MAX. ALLOWABLE MANUAL INSERTION PRESSURE: 115 PSIG**  
**ASME SECTION VIII-1, CODE EDITION 2010, ADDENDA 2011**

**CRN #0H13340.2**



DATE	REV.	RECORD	AUTHORIZED	DRAFTER	CHECKED
01/04/13	-	DR #9662	JL	TLN	JL
05/06/13	A	CN #9341	JL	TLN	JL



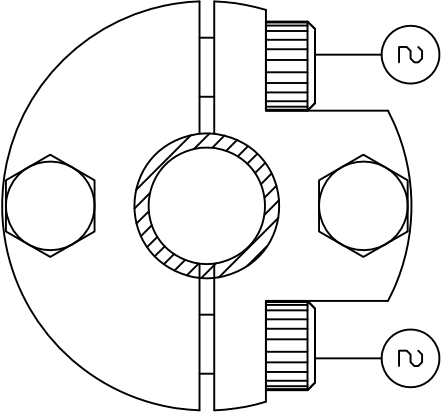
THIS DRAWING CONTAINS CONFIDENTIAL INFORMATION WHICH IS THE PROPERTY OF WELKER INC. THIS DOCUMENT AND THE INFORMATION CONTAINED HEREIN SHALL NOT BE USED, REPRODUCED, COPIED, OR TRANSMITTED IN ANY FORM OR BY ANY MEANS, ELECTRONIC OR MECHANICAL, INCLUDING PHOTOCOPYING, RECORDING, OR BY ANY INFORMATION STORAGE AND RETRIEVAL SYSTEM, WITHOUT THE WRITTEN PERMISSION OF WELKER INC. THIS DOCUMENT SHALL REMAIN THE PROPERTY OF WELKER INC AND ANY UNAUTHORIZED DISCLOSURE OR DISTRIBUTION OF THIS DOCUMENT SHALL BE PENALIZED UPON DEMAND.

13839 WEST BELLFLORT  
 SUGAR LAND, TEXAS 77498-1671  
 PHONE (281) 491-2331  
 FAX (281) 491-8344

TITLE: ADJUSTABLE PROBE STYLE: APM-4, MANUAL INSERTION DEVICE		DRAWN BY: TLN		SCALE: STF		APPROVED BY:		DRAWING NUMBER: AD778BXCRN	
COMPANY: CR WALL/ARJAY ENGINEERING LTD.		DATE: 01/04/13						SHEET: 1 of 2	
								REV: A	

**MAOP: 240 PSIG @ -20°F TO 100°F**  
**MAOT: 400°F @ 160 PSIG**  
**MAX. ALLOWABLE MANUAL INSERTION PRESSURE: 115 PSIG**  
**ASME SECTION VIII-1, CODE EDITION 2010, ADDENDA 2011**

**CRN #0H13340.2**



SECTION A-A'

A-193 B8M CL.2-316	8	2	HEX. HD. MACH. SCREW 1/4-20 x 3/4" LG.	MA032EB8MCRN
VITON	7	1	WIPER	WP010DV [400F]
PTFE	6	2	BACK-UP RING	BU210SP
SA-213-316/316L	5	1	PROBE SHAFT S.A.	AP3284J1J1CRN
SA-479-316/316L	4	1	LUBRICATOR BODY 1" NPT	AP3285CRN
VITON	3	1	O-RING	V090210
A-193 B8M CL.2-316	2	2	HEX. SOCK. CAP SCREW 1/4-20 x 1-1/4" LG.	MA001HB8MCRN
SA-479-316/316L	1	1	LOCK COLLAR	AP3286
MATERIAL	ND.	REQ.	DESCRIPTION	PART NUMBER

DATE	REV.	RECORD	AUTHORIZED	DRAFTER	CHECKED
01/04/13	-	DR #9662	JL	TLN	JL
05/06/13	A	CN #9341	JL	TLN	JL



THIS DRAWING CONTAINS CONFIDENTIAL INFORMATION WHICH IS THE PROPERTY OF WELKER INC. THIS DOCUMENT AND THE INFORMATION CONTAINED HEREIN SHALL NOT BE USED, REPRODUCED, COPIED, OR TRANSMITTED IN ANY FORM OR BY ANY MEANS, ELECTRONIC OR MECHANICAL, INCLUDING PHOTOCOPYING, RECORDING, OR BY ANY INFORMATION STORAGE AND RETRIEVAL SYSTEM, WITHOUT THE WRITTEN PERMISSION OF WELKER INC. SHALL NOT BE COPIED OR REPRODUCED OR TRANSMITTED IN ANY FORM OR BY ANY MEANS, ELECTRONIC OR MECHANICAL, INCLUDING PHOTOCOPYING, RECORDING, OR BY ANY INFORMATION STORAGE AND RETRIEVAL SYSTEM, WITHOUT THE WRITTEN PERMISSION OF WELKER INC AND SHALL REMAIN THE PROPERTY OF WELKER INC AND DOCUMENT SHALL BE RETURNED UPON DEMAND.

**WELKER**  
 13839 WEST BELLFLORT  
 SUGAR LAND, TEXAS 77498-1671  
 PHONE (281) 491-2331  
 FAX (281) 491-8344

TITLE: ADJUSTABLE PROBE STYLE: APM-4, MANUAL INSERTION DEVICE		DRAWN BY: TLN		SCALE: STF	APPROVED BY:	DRAWING NUMBER: AD778BXCRN
COMPANY: CR WALL/ARJAY ENGINEERING LTD.		DATE: 01/04/13				SHEET: 2 of 2
						REV: A