

MATERIAL:

316 S.S. / ALUMINUM

FINISH:

N/A

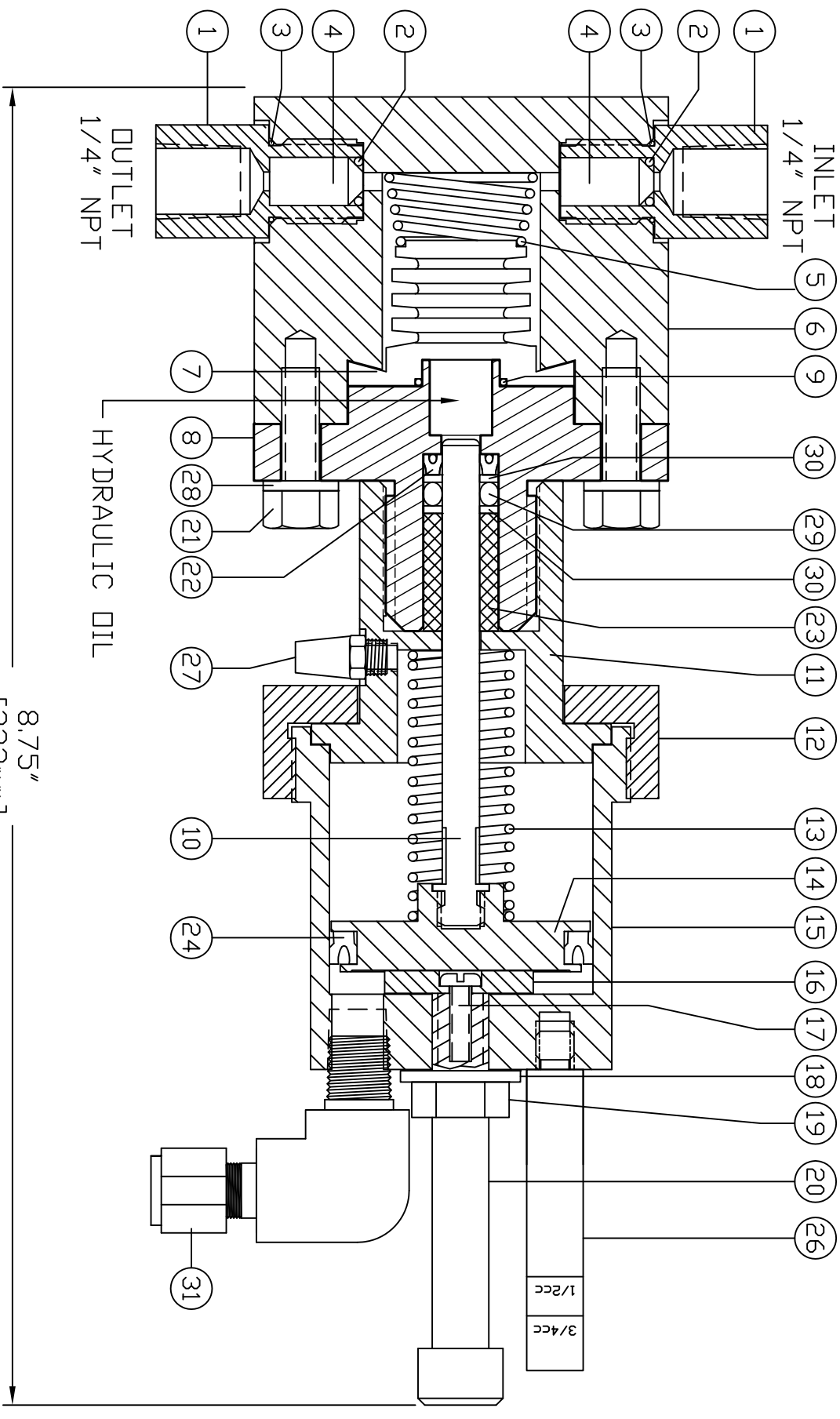
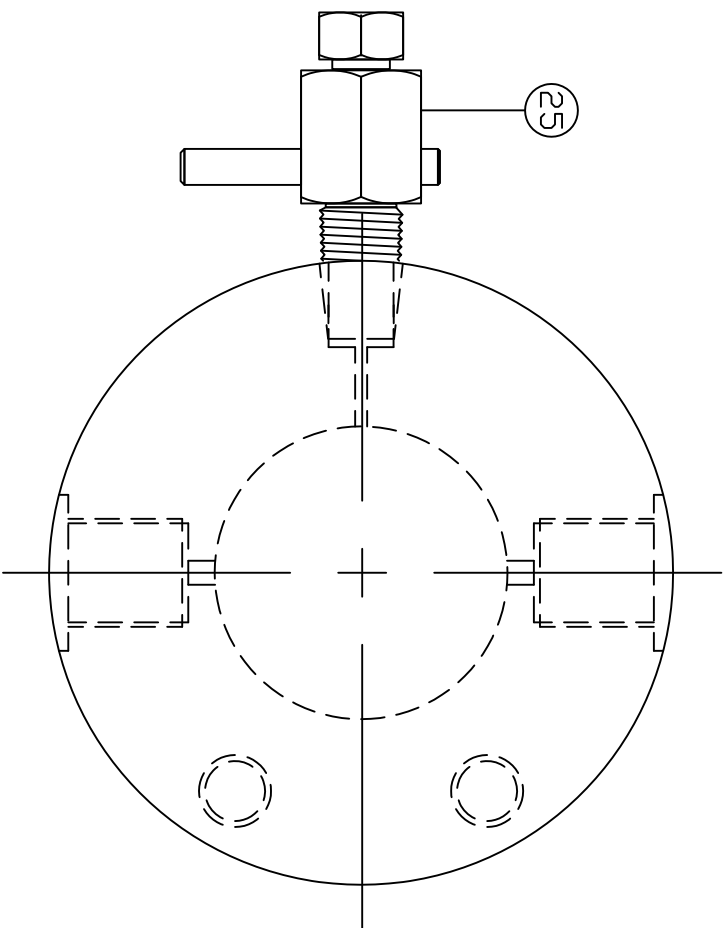
TO PROTECT SENSITIVE PIPELINE EQUIPMENT, WELKER INC RECOMMENDS INSTALLING ANY PRODUCT PIPELINE UPSTREAM OF THE STRAINER.

DRAWING NUMBER:

AD788BB

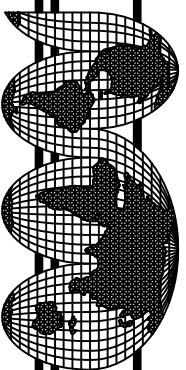
REV: P

MAOP: 2000 PSIG @ -20°F TO 100°F



8.75"
[222mm]

DATE	REV.	RECORD	AUTHORIZED	DRAFTER	CHECKED
12/28/06	K	CN# 5650	TDP	EBC	TDP
4/1/07	L	CN# 6280	TDP	EBC	TDP
10/15/10	M	CN# 7672	TDP	TLN	TDP
5/9/12	N	CN# 8563	KSD	RRC	JL
11/29/12	D	CN# 9016	KSD	RRC	JL
2/18/13	P	CN# 9194	TDP	MC	JL



WELKER

TITLE: 1/4" BELLOWS INJECTION PUMP
 STYLE: BIP-2
 COMPANY:

13839 WEST BELLFORT
 SUGAR LAND, TEXAS 77498-1671
 PHONE (281) 491-2331
 FAX (281) 491-8344

DRAWN BY:	SCALE:	APPROVED BY:	DRAWING NUMBER:
RP	STF		AD788BB
DATE:			SHEET: 1 of 2
6/15/00			REV: P

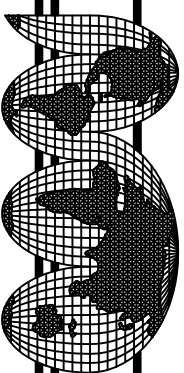
THIS DOCUMENT CONTAINS CONFIDENTIAL INFORMATION WHICH IS THE PROPERTY OF WELKER INC. THIS DOCUMENT AND THE INFORMATION WHICH IT CONTAINS SHALL NOT BE USED, EXPLOITED OR SOLD WITHOUT THE EXPRESS WRITTEN PERMISSION OF WELKER INC. SHALL NOT BE COPIED OR REPRODUCED IN ANY MANNER. THIS DOCUMENT SHALL REMAIN THE PROPERTY OF WELKER INC AND SHALL BE RETURNED UPON DEMAND.

MAOP: 2000 PSIG @ -20°F TO 100°F

NO.	REQ.	DESCRIPTION	PART NUMBER	NO.	REQ.	DESCRIPTION	PART NUMBER
27	1	MUFFLER	MF86500	27	1	MUFFLER	MF86500
26	1	INDICATOR TOWER	BP1035	26	1	INDICATOR TOWER	BP1035
25	1	PURGE VALVE	VL40800	25	1	PURGE VALVE	VL40800
24	1	U-CUP	MS11200	24	1	U-CUP	MS11200
23	1	HYDRAULIC BEARING	BP1024	23	1	HYDRAULIC BEARING	BP1024
22	1	POLY PAK	MS02900	22	1	POLY PAK	MS02900
21	6	BOLT, 3/4" LONG	MA032EX	21	6	BOLT, 3/4" LONG	MA032EX
20	1	ADJUSTMENT SCREW	BP1033	20	1	ADJUSTMENT SCREW	BP1033
19	1	JAM NUT	MA005DX	19	1	JAM NUT	MA005DX
18	1	STAT SEAL	MS08900	18	1	STAT SEAL	MS08900
17	1	SCREW	MA101DX	17	1	SCREW	MA101DX
16	1	ADJUSTMENT SPACER	BP1032	16	1	ADJUSTMENT SPACER	BP1032
15	1	ACTUATOR HOUSING	BP1020	15	1	ACTUATOR HOUSING	BP1020
14	1	ACTUATOR PISTON	BP1021	14	1	ACTUATOR PISTON	BP1021
13	1	ACTUATOR SPRING	SPR12400	13	1	ACTUATOR SPRING	SPR12400
12	1	ACTUATOR RETAINING NUT	BP1023	12	1	ACTUATOR RETAINING NUT	BP1023
11	1	SPRING HOUSING	BP1022	11	1	SPRING HOUSING	BP1022
10	1	HYDRAULIC PISTON	BP1025	10	1	HYDRAULIC PISTON	BP1025
9	1	D-RING	VD90014	9	1	D-RING	VD90014
8	1	HYDRAULIC CAP	BP1026	8	1	HYDRAULIC CAP	BP1026
7	1	BELLOWS	MD02700	7	1	BELLOWS	MD02700
6	1	INJECTION BODY	BP1027	6	1	INJECTION BODY	BP1027
5	1	BELLOWS RETURN SPRING	SPR110DX	5	1	BELLOWS RETURN SPRING	SPR110DX
4	2	CHECK VALVE CART. (KALREZ)	MR0780K	4	2	CHECK VALVE CART. (KALREZ)	MR0780K
3	2	D-RING	VD70013	3	2	D-RING	VD70013
2	2	D-RING	VD90008	2	2	D-RING	VD90008
1	2	CHECK VALVE CAP	BP1008	1	2	CHECK VALVE CAP	BP1008
		DESCRIPTION	PART NUMBER			DESCRIPTION	PART NUMBER

*** NOTE:**
DO NOT SUPPLY BLEED VALVE (VL40800) ITEM #25 WHEN BIP IS MOUNTED INSIDE ODOREYES ENCLOSURE SYSTEMS.

DATE	REV.	RECORD	AUTHORIZED	DRAFTER	CHECKED
12/28/06	K	CN# 5650	TDP	EBC	TDP
4/1/07	L	CN# 6280	TDP	EBC	TDP
10/15/10	M	CN# 7672	TDP	TLN	TDP
5/9/12	N	CN# 8563	KSD	RRC	JL
11/29/12	D	CN# 9016	KSD	RRC	JL
2/18/13	P	CN# 9194	TDP	MC	JL



WELKER®

TITLE: 1/4" BELLOWS INJECTION PUMP
 STYLE: BIP-2

COMPANY:

13839 WEST BELLFORT
 SUGAR LAND, TEXAS 77498-1671
 PHONE (281) 491-2331
 FAX (281) 491-8344

DRAWN BY: RP	SCALE: STF	APPROVED BY:	DRAWING NUMBER: AD788BB	DATE: 6/15/00	SHEET: 2 of 2	REV: P
-----------------	---------------	--------------	----------------------------	------------------	------------------	-----------

THIS DOCUMENT CONTAINS CONFIDENTIAL INFORMATION WHICH IS THE PROPERTY OF WELKER INC. THIS DOCUMENT AND THE INFORMATION WHICH IT CONTAINS SHALL NOT BE USED, REPRODUCED OR SOLD WITHOUT THE EXPRESS WRITTEN PERMISSION OF WELKER INC. SHALL NOT BE COPIED OR REPRODUCED IN ANY MANNER WITHOUT THE WRITTEN PERMISSION OF WELKER INC. THIS DOCUMENT SHALL REMAIN THE PROPERTY OF WELKER INC AND SHALL BE RETURNED UPON DEMAND