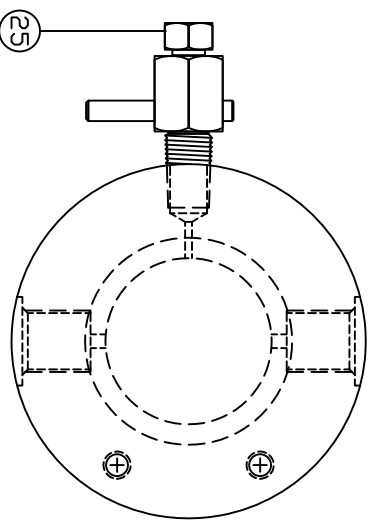
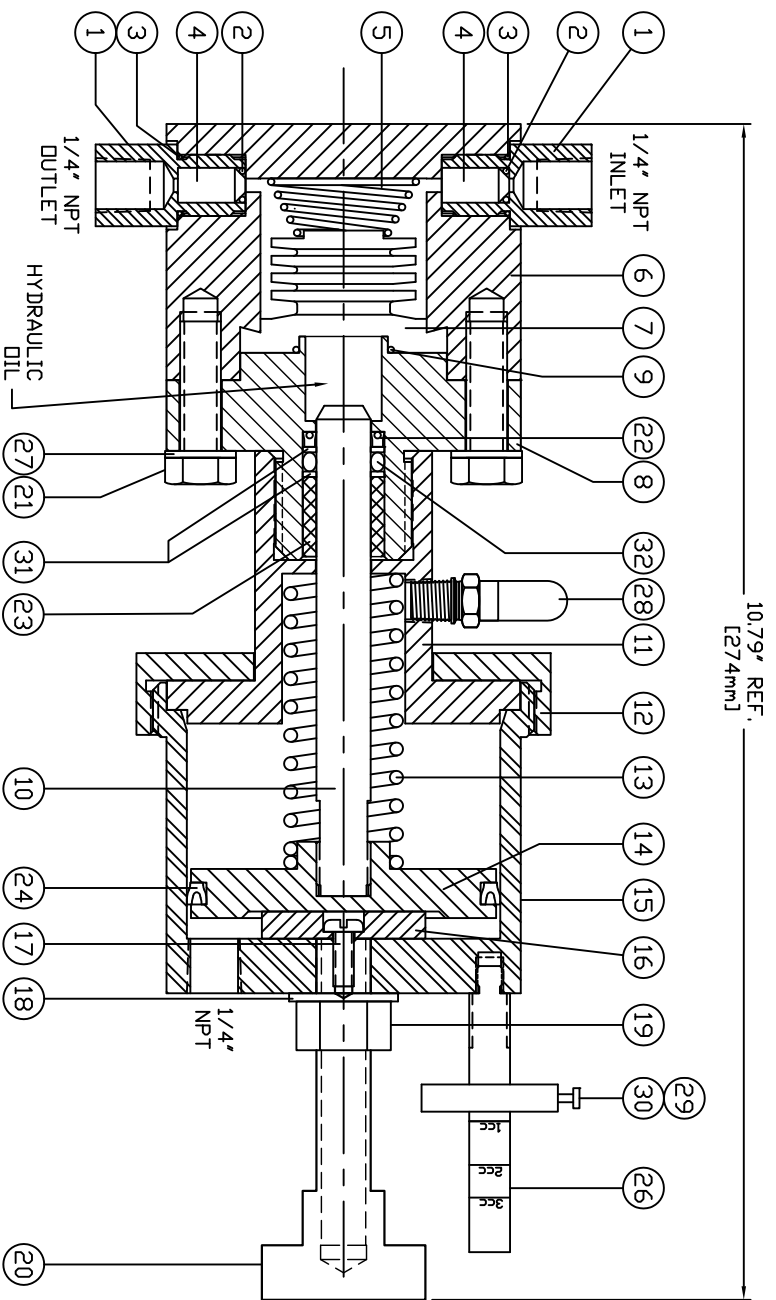


MAOP: 2160 PSIG @ -20°F TO 100°F



END VIEW
OF INJECTION BODY



THIS DRAWING CONTAINS CONFIDENTIAL INFORMATION WHICH IS THE PROPERTY OF WELKER INC. THIS DOCUMENT AND THE INFORMATION HEREON IS UNCLASSIFIED AND THE PROPERTY OF WELKER INC. SHALL NOT BE COPIED OR REPRODUCED IN ANY MANNER WITHOUT THE WRITTEN PERMISSION OF WELKER INC. SHALL BE KEPT CONFIDENTIAL AND NOT BE REVEALED OR DISCLOSED TO THIRD PARTIES. THIS DOCUMENT SHALL REMAIN THE PROPERTY OF WELKER INC. AND SHALL BE RETURNED UPON DEMAND.

13839 WEST BELLFLORT
SUGAR LAND, TEXAS 77498-1671
PHONE: (281) 491-2331
FAX: (281) 491-8344

DATE	REV.	RECORD	AUTHORIZED	DRAFTER	CHECKED
122206	M	CN #5650	TDP	EBC	TDP
040108	N	CN #6280	TDP	EBC	TDP
101510	D	CN #7672	TDP	TLN	TDP
050912	P	CN #8563	KSD	RRC	JL
112912	Q	CN #9016	KSD	RRC	JL

TITLE: 1/2" BELLOWS INJECTION PUMP		DRAWN BY: KES		SCALE: STF		APPROVED BY:		DRAWING NUMBER: AD788BD	
COMPANY: WELKER		DATE: 01/17/99						SHEET: 1 of 2	
								REV: Q	

MAOP: 2160 PSIG @ -20°F TO 100°F

NO.	REQ.	DESCRIPTION	PART NO.	NO.	REQ.	DESCRIPTION	PART NO.
25	1	PURGE VALVE	VL408DD	25	1	PURGE VALVE	VL408DD
24	1	U-CUP	MS044DD	24	1	U-CUP	MS044DD
23	1	HYDRAULIC BEARING	BP1004	23	1	HYDRAULIC BEARING	BP1004
22	1	POLY-PAK	MS047DD	22	1	POLY-PAK	MS047DD
21	6	BOLT 3/8"-16	MA004EX	21	6	BOLT 3/8"-16	MA004EX
20	1	ADJUSTMENT SCREW	BP1062	20	1	ADJUSTMENT SCREW	BP1062
19	1	JAM NUT	MA071DX	19	1	JAM NUT	MA071DX
18	1	STAT SEAL	MS090DD	18	1	STAT SEAL	MS090DD
17	1	SL. PAN. HD. SCREW 10"-32 x 1/2" S.S.	MA101DX	17	1	SL. PAN. HD. SCREW 10"-32 x 1/2" S.S.	MA101DX
16	1	ADJUSTMENT SPACER	BP1011	16	1	ADJUSTMENT SPACER	BP1011
15	1	ACTUATOR HOUSING	BP1019	15	1	ACTUATOR HOUSING	BP1019
14	1	ACTUATOR PISTON	BP1001	14	1	ACTUATOR PISTON	BP1001
13	1	ACTUATOR SPRING	SPR118DD	13	1	ACTUATOR SPRING	SPR118DD
12	1	ACTUATOR RETAINING NUT	BP1003	12	1	ACTUATOR RETAINING NUT	BP1003
11	1	SPRING HOUSING	BP1002	11	1	SPRING HOUSING	BP1002
10	1	HYDRAULIC PISTON	BP1005	10	1	HYDRAULIC PISTON	BP1005
9	1	D-RING	VD090019	9	1	D-RING	VD090019
8	1	HYDRAULIC CAP	BP1006	8	1	HYDRAULIC CAP	BP1006
7	1	BELLOWS	MD026DD	7	1	BELLOWS	MD026DD
6	1	INJECTION BODY	BP1007	6	1	INJECTION BODY	BP1007
5	1	SPRING, CONICAL 1/2" PUMP	SPR106DX	5	1	SPRING, CONICAL 1/2" PUMP	SPR106DX
4	2	CHECK VALVE CART. KEPNER KALREZ SEAL	MR078DK	4	2	CHECK VALVE CART. KEPNER KALREZ SEAL	MR078DK
3	2	D-RING	VD070013	3	2	D-RING	VD070013
2	2	D-RING	VD090008	2	2	D-RING	VD090008
1	2	CHECK VALVE CAP	BP1008	1	2	CHECK VALVE CAP	BP1008
32	1	D-RING	VD070206	32	1	D-RING	VD070206
31	2	BACK-UP RING	LS71018	31	2	BACK-UP RING	LS71018
30	1	ADJUSTMENT KNOB	BP1064	30	1	ADJUSTMENT KNOB	BP1064
29	1	INDICATOR STOP	BP1063	29	1	INDICATOR STOP	BP1063
28	1	MUFFLER 1/8" NPT	MF246DD	28	1	MUFFLER 1/8" NPT	MF246DD
27	6	LOCK WASHER 3/8"	MA079DX	27	6	LOCK WASHER 3/8"	MA079DX
26	1	INDICATOR TOWER	BP1036	26	1	INDICATOR TOWER	BP1036

* NOTE:
DO NOT SUPPLY BLEED VALVE
(VL40800) ITEM #25 WHEN BIP IS
MOUNTED INSIDE ODOREYES
ENCLOSURE SYSTEMS.

DATE	REV.	RECORD	AUTHORIZED	DRAFTER	CHECKED
122206	M	CN #5650	TDP	EBC	TDP
040108	N	CN #6280	TDP	EBC	TDP
101510	D	CN #7672	TDP	TLN	TDP
050912	P	CN #8563	KSD	RRC	JL
112912	Q	CN #9016	KSD	RRC	JL



WELKER

13839 WEST BELLFLORT
SUGAR LAND, TEXAS 77498-1671
PHONE (281) 491-2331
FAX (281) 491-8344

TITLE: 1/2" BELLOWS INJECTION PUMP		DRAWING NUMBER: AD788BD	
COMPANY:		DRAWING NUMBER: AD788BD	
DRAWN BY: KES	SCALE: STF	APPROVED BY:	SHEET: 2 of 2
DATE: 01/17/99			REV: Q

THIS DOCUMENT CONTAINS CONFIDENTIAL INFORMATION WHICH IS THE PROPERTY OF WELKER INC. THIS DOCUMENT AND THE INFORMATION HEREON IS TO BE KEPT IN STRICTLY CONFIDENTIAL MANNER. IT IS NOT TO BE REPRODUCED, COPIED, OR TRANSMITTED IN ANY FORM OR BY ANY MEANS, ELECTRONIC OR MECHANICAL, INCLUDING PHOTOCOPYING, RECORDING, OR BY ANY INFORMATION STORAGE AND RETRIEVAL SYSTEMS, WITHOUT THE WRITTEN PERMISSION OF WELKER INC. THIS DOCUMENT IS TO BE KEPT IN STRICTLY CONFIDENTIAL MANNER AND NOT BE REVEALED OR DISCLOSED TO THIRD PARTIES. THIS DOCUMENT SHALL REMAIN THE PROPERTY OF WELKER INC. AND SHALL BE RETURNED UPON DEMAND.