

MATERIAL: 304 S.S.,
316/316L S.S.

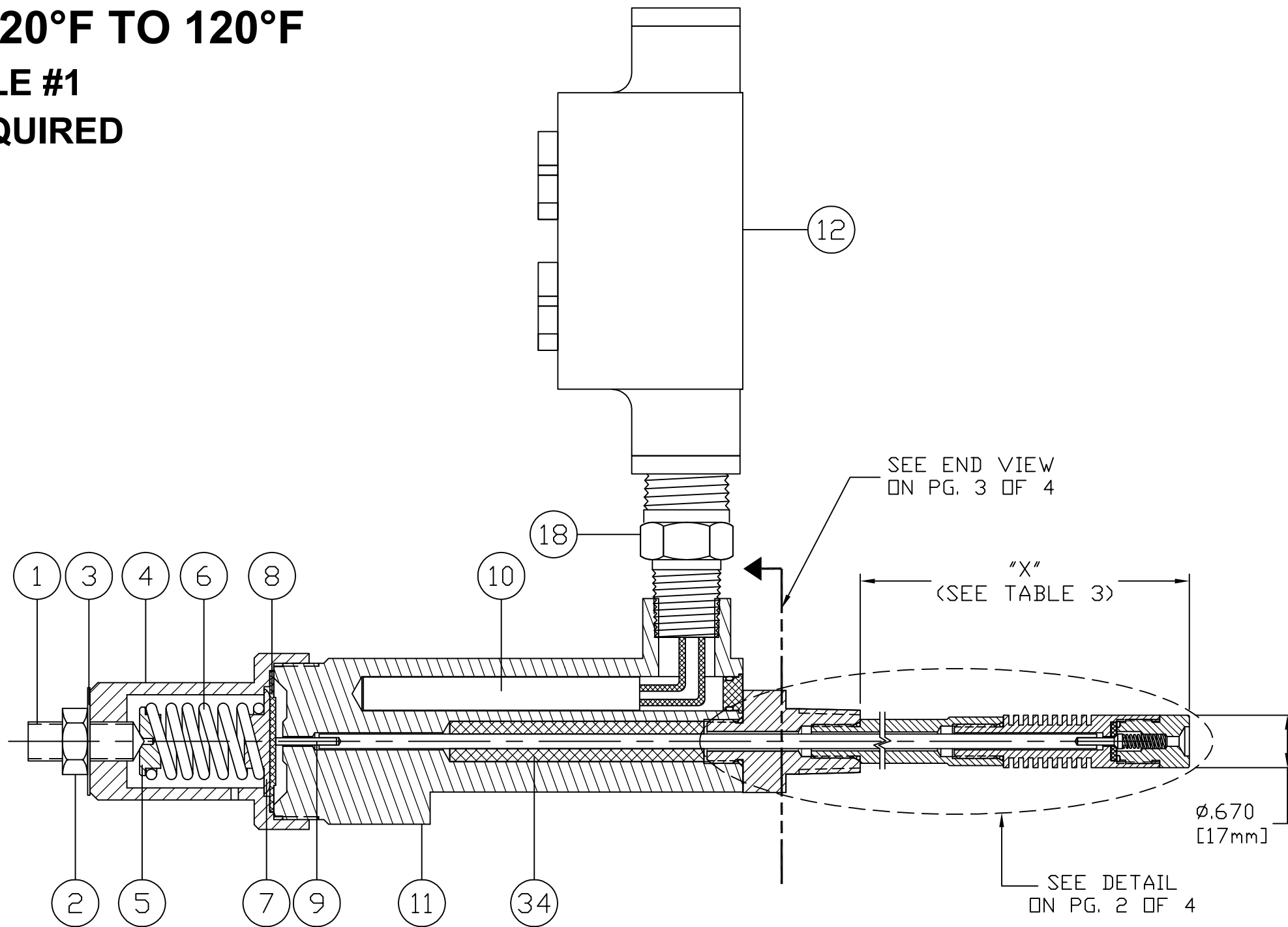
FINISH:
N/A

TO PROTECT SENSITIVE PIPELINE EQUIPMENT, WELKER INC
RECOMMENDS INSTALLING ANY PRODUCT PROTRUDING INTO THE
PIPELINE UPSTREAM OF THE STRAINER.

DRAWING NUMBER:
AD822BB

REV:
G

MAOP: 2160 PSIG @ -20°F TO 120°F
OUTPUT RANGE: SEE TABLE #1
DOWNSTREAM RELIEF REQUIRED



DATE	REV.	RECORD	AUTHORIZED	DRAFTER	CHECKED
03/03/15	G	ECN-10208	TDP	PVS	HHN
05.23.13	F	CN #9193	KSD	RRC	TDP
12.11.12	E	CN #8964	KSD	RRC	JL
05.31.12	D	CN #8736	GB	TLN	GB
11.29.11	C	CN #8389	TDP	TLN	JL
04.12.06	B	CN #5779	GB	EBC	GB



WELKER®

THIS DOCUMENT CONTAINS CONFIDENTIAL INFORMATION WHICH IS THE PROPERTY OF WELKER INC. THIS DOCUMENT AND THE INFORMATION WHICH IT CONTAINS SHALL NOT BE USED, EXPLOITED OR SOLD WITHOUT THE EXPRESS WRITTEN PERMISSION OF WELKER INC., SHALL NOT BE COPIED OR OTHERWISE REPRODUCED IN WHOLE OR IN PART AND SHALL NOT BE REVEALED OR DISCLOSED TO THIRD PARTIES. THIS DOCUMENT SHALL REMAIN THE PROPERTY OF WELKER INC. AND SHALL BE RETURNED UPON DEMAND

13839 WEST BELLFORT
SUGAR LAND, TEXAS 77498-1671
PHONE (281) 491-2331
FAX (281) 491-8344

TITLE: DIRECT VERTICAL MOUNT REGULATOR
STYLE: HRD-4SS, HEATED REGULATOR
(STANDARD)

COMPANY:			
DRAWN BY: EBC	SCALE: STF	APPROVED BY:	DRAWING NUMBER: AD822BB
DATE: 08/22/03			SHEET: 1 of 4
			REV: G

MATERIAL: 304 S.S.,
316/316L S.S.

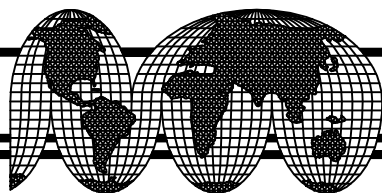
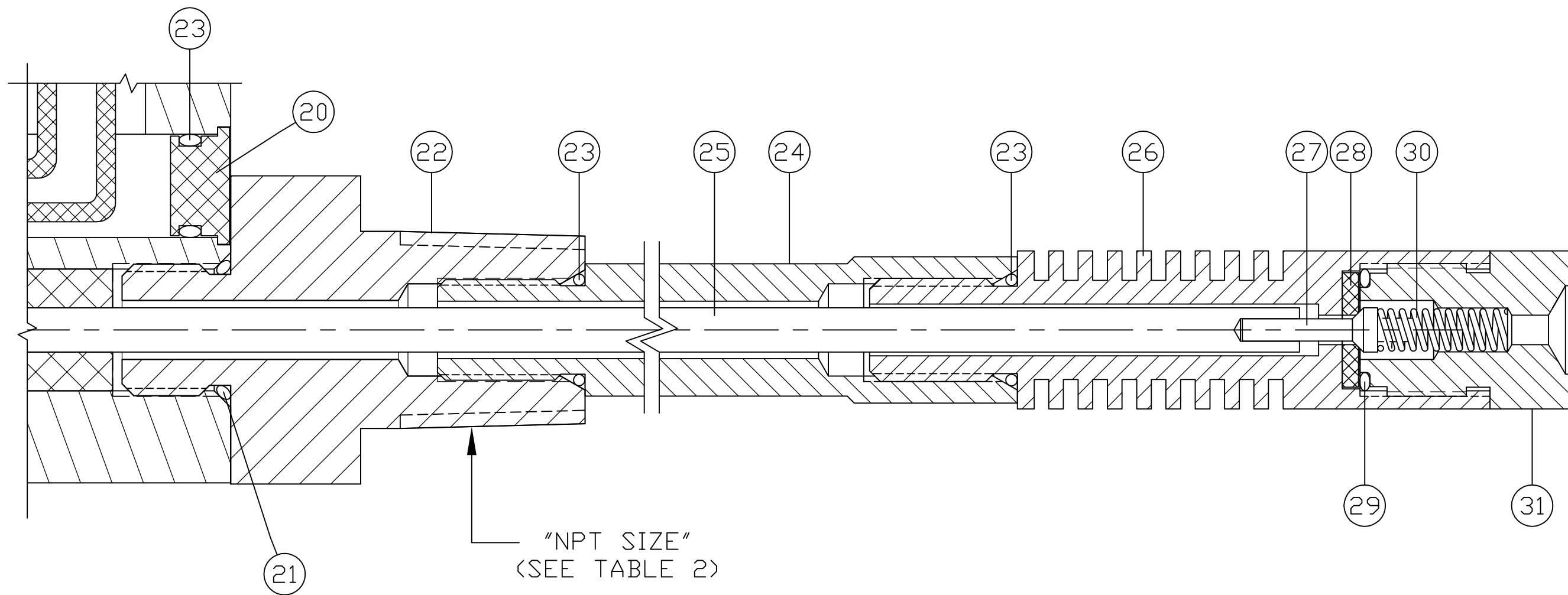
FINISH:
N/A

TO PROTECT SENSITIVE PIPELINE EQUIPMENT, WELKER INC
RECOMMENDS INSTALLING ANY PRODUCT PROTRUDING INTO THE
PIPELINE UPSTREAM OF THE STRAINER.

DRAWING NUMBER:
AD822BB

REV:
G

MAOP: 2160 PSIG @ -20°F TO 120°F
OUTPUT RANGE: SEE TABLE #1
DOWNSTREAM RELIEF REQUIRED



WELKER®

TITLE: DIRECT VERTICAL MOUNT REGULATOR
STYLE: HRD-4SS, HEATED REGULATOR
(STANDARD)

COMPANY:

DRAWN BY:
EBC

SCALE:
STF

APPROVED BY:

DATE:
08/22/03

DRAWING NUMBER:
AD822BB

SHEET:
2 of 4

REV:
G

THIS DOCUMENT CONTAINS CONFIDENTIAL INFORMATION WHICH IS THE PROPERTY OF WELKER INC. THIS DOCUMENT AND THE INFORMATION WHICH IT CONTAINS SHALL NOT BE USED, EXPLOITED OR SOLD WITHOUT THE EXPRESS WRITTEN PERMISSION OF WELKER INC. SHALL NOT BE COPIED OR OTHERWISE REPRODUCED IN WHOLE OR IN PART AND SHALL NOT BE REVEALED OR DISCLOSED TO THIRD PARTIES. THIS DOCUMENT SHALL REMAIN THE PROPERTY OF WELKER INC. AND SHALL BE RETURNED UPON DEMAND

13839 WEST BELLFORT
SUGAR LAND, TEXAS 77498-1671
PHONE (281) 491-2331
FAX (281) 491-8344

DATE	REV.	RECORD	AUTHORIZED	DRAFTER	CHECKED
03/03/15	G	ECN-10208	TDP	PVS	HHN
05.23.13	F	CN #9193	KSD	RRC	TDP
12.11.12	E	CN #8964	KSD	RRC	JL
05.31.12	D	CN #8736	GB	TLN	GB
11.29.11	C	CN #8389	TDP	TLN	JL
04.12.06	B	CN #5779	GB	EBC	GB

MATERIAL: 304 S.S.,
316/316L S.S.

FINISH:
N/A

TO PROTECT SENSITIVE PIPELINE EQUIPMENT, WELKER INC
RECOMMENDS INSTALLING ANY PRODUCT PROTRUDING INTO THE
PIPELINE UPSTREAM OF THE STRAINER.

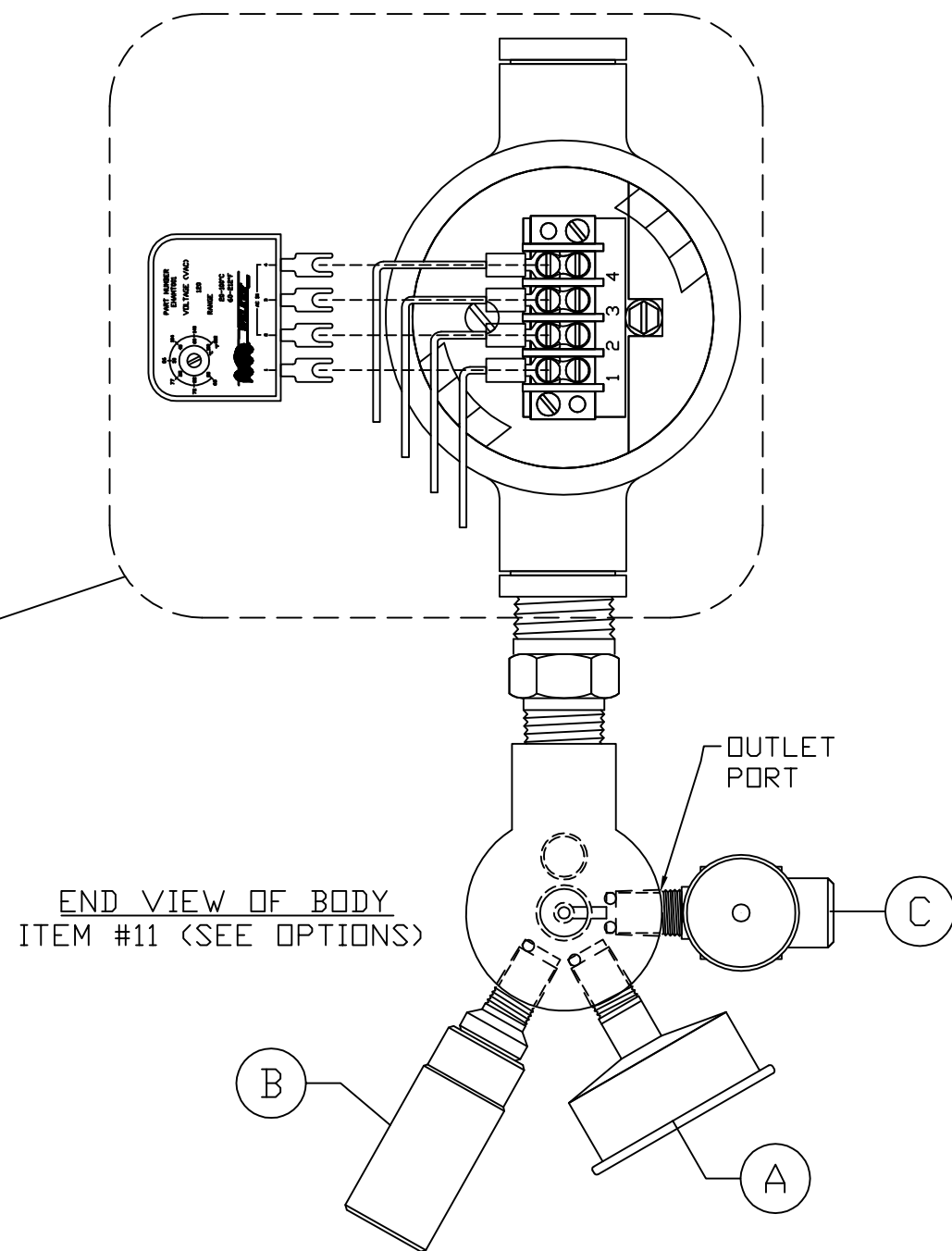
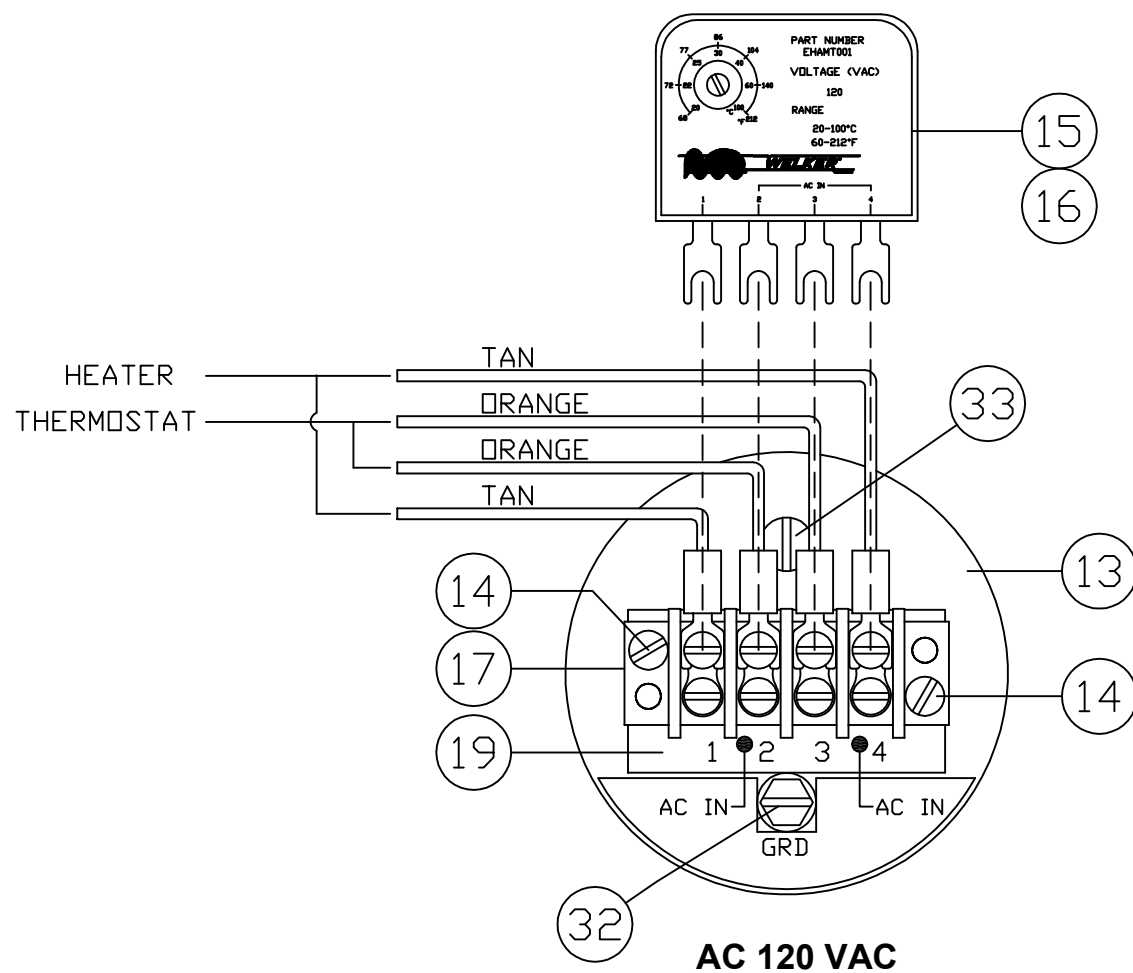
DRAWING NUMBER:
AD822BB

REV:
G

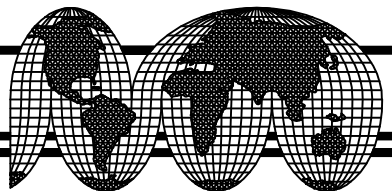
MAOP: 2160 PSIG @ -20°F TO 120°F

OUTPUT RANGE: SEE TABLE #1

DOWNSTREAM RELIEF REQUIRED



END VIEW OF BODY
ITEM #11 (SEE OPTIONS)



WELKER®

TITLE: DIRECT VERTICAL MOUNT REGULATOR
STYLE: HRD-4SS, HEATED REGULATOR
(STANDARD)

COMPANY:
DRAWN BY: EBC SCALE: STF APPROVED BY: DRAWING NUMBER: AD822BB
DATE: 08/22/03 SHEET: 3 of 4 REV: G

THIS DOCUMENT CONTAINS CONFIDENTIAL INFORMATION WHICH IS THE PROPERTY OF WELKER INC. THIS DOCUMENT AND THE INFORMATION WHICH IT CONTAINS SHALL NOT BE USED, EXPLOITED OR SOLD WITHOUT THE EXPRESS WRITTEN PERMISSION OF WELKER INC. SHALL NOT BE COPIED OR OTHERWISE REPRODUCED IN WHOLE OR IN PART AND SHALL NOT BE REVEALED OR DISCLOSED TO THIRD PARTIES. THIS DOCUMENT SHALL REMAIN THE PROPERTY OF WELKER INC. AND SHALL BE RETURNED UPON DEMAND

13839 WEST BELLFORT
SUGAR LAND, TEXAS 77498-1671
PHONE (281) 491-2331
FAX (281) 491-8344

DATE	REV.	RECORD	AUTHORIZED	DRAFTER	CHECKED
03/03/15	G	ECN-10208	TDP	PVS	HHN
05.23.13	F	CN #9193	KSD	RRC	TDP
12.11.12	E	CN #8964	KSD	RRC	JL
05.31.12	D	CN #8736	GB	TLN	GB
11.29.11	C	CN #8389	TDP	TLN	JL
04.12.06	B	CN #5779	GB	EBC	GB

MATERIAL: 304 S.S.,
316/316L S.S.

FINISH:
N/A

TO PROTECT SENSITIVE PIPELINE EQUIPMENT, WELKER INC
RECOMMENDS INSTALLING ANY PRODUCT PROTRUDING INTO THE
PIPELINE UPSTREAM OF THE STRAINER.

DRAWING NUMBER:
AD822BB

REV:
G

MAOP: 2160 PSIG @ -20°F TO 120°F

OUTPUT RANGE: SEE TABLE #1

DOWNSTREAM RELIEF REQUIRED

		4.5" (114)	VD70011	IRDE100245	HR103045	IRDE1006
		4.0" (102)	VD70011	IRDE10024	HR10304	IRDE1006
1S	8", 10", 12"	5.9" (150)	VD70011	IRDE106759	HR103059	IRA3008
4S	4", 6"	3.6" (92)	VD70011	IRDE106736	HR103036	IRA3008
2S	2", 3"	2.2" (56)	N/A	N/A	HR103022	IRDE1066
	PIPELINE SIZE	"X" INSERTION [Inches/mm]	(23)	(24)	(25)	(26)

TABLE #3:

1"	IRDE1003C
3/4"	IRDE1003B
1/2"	IRDE1003A
NPT SIZE	(22)

TABLE #2: BASE

C	VALVE
B	RV-1D RELIEF (AD017A[])
A	GAUGE

OPTIONS

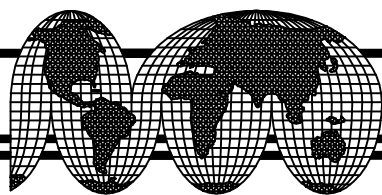
0-100	IR1001C	SPR150X	RED
0-50	IR1001B	SPR160X	GREEN
0-25	IR1001A	SPR170X	YELLOW
OUTPUT PSIG	(3)	(6)	COLOR CODE

TABLE #1: OUTPUT RANGE

34	1	HEAT BAFFLE	HR1032
33	1	HEX SCREW GREEN	SUPPLIED W/ BOX
32	1	SLT. PAN HD. SCREW 10"-32 x 1/4" LG.	MA101BX
31	1	SEAT RETAINER	IRD1002
NO.	REQ.	DESCRIPTION	PART NUMBER

30	1	SPRING	SPR230X
29	1	O-RING	VD90012
28	1	SEAT	IR1203T
27	1	POPPET	IR1204
26	1	THERMAL EXCH. FIN	SEE TABLE 3
25	1	PUSH ROD	SEE TABLE 3
24	1	OUTER SHAFT EXT.	SEE TABLE 3
23	3	O-RING	SEE TABLE 3
22	1	BASE	SEE TABLE 2
21	1	O-RING	VD70013
20	1	HEATER PLUG	HR1013
19	1	MARKING STRIP	EWACI04140MS
18	1	HEX REDUCING NIPPLE 3/4" NPT x 1/2" NPT	MF7790X
17	1	TERMINAL STRIP	EWACI04140
16	1	THERMOSTAT LABEL	HR1007
15	1	THERMOSTAT	EHAMT001
14	2	SLT. HD. SCREW 6"-32 x 1/2" LG.	MA045BX
13	1	MOUNTING PLATE	HR1008
12	1	BOX	ECMAPGRC75
11	1	BODY S.A.	HR1012CSA
10	1	HEATER	EHAMT003
9	1	CONTACT ROD	IRD1003
8	1	DIAPHRAGM ASSEMBLY	MD00600
7	1	BOTTOM SPRING GUIDE	IR1000
6	1	SPRING	SEE TABLE 1
5	1	SPRING GUIDE	IR1200
4	1	SPRING HOUSING	IR4000X
3	1	SPRING RANGE DISC	SEE TABLE 1
2	1	JAM NUT S.S.	MA0250X
1	1	ADJUSTING SCREW	MA042AX
NO.	REQ.	DESCRIPTION	PART NUMBER

DATE	REV.	RECORD	AUTHORIZED	DRAFTER	CHECKED
03/03/15	G	ECN-10208	TDP	PVS	HHN
05.23.13	F	CN #9193	KSD	RRC	TDP
12.11.12	E	CN #8964	KSD	RRC	JL
05.31.12	D	CN #8736	GB	TLN	GB
11.29.11	C	CN #8389	TDP	TLN	JL
04.12.06	B	CN #5779	GB	EBC	GB



WELKER

THIS DOCUMENT CONTAINS CONFIDENTIAL INFORMATION WHICH IS THE PROPERTY OF WELKER INC. THIS DOCUMENT AND THE INFORMATION WHICH IT CONTAINS SHALL NOT BE USED, EXPLOITED OR SOLD WITHOUT THE EXPRESS WRITTEN PERMISSION OF WELKER INC. SHALL NOT BE COPIED OR OTHERWISE REPRODUCED IN WHOLE OR IN PART AND SHALL NOT BE REVEALED OR DISCLOSED TO THIRD PARTIES. THIS DOCUMENT SHALL REMAIN THE PROPERTY OF WELKER INC. AND SHALL BE RETURNED UPON DEMAND.

13839 WEST BELLFORT
SUGAR LAND, TEXAS 77498-1671
PHONE (281) 491-2331
FAX (281) 491-8344

TITLE: DIRECT VERTICAL MOUNT REGULATOR
STYLE: HRD-4SS, HEATED REGULATOR (STANDARD)

COMPANY:
DRAWN BY: EBC SCALE: STF APPROVED BY: DRAWING NUMBER: AD822BB
DATE: 08/22/03 SHEET: 4 of 4 REV: G