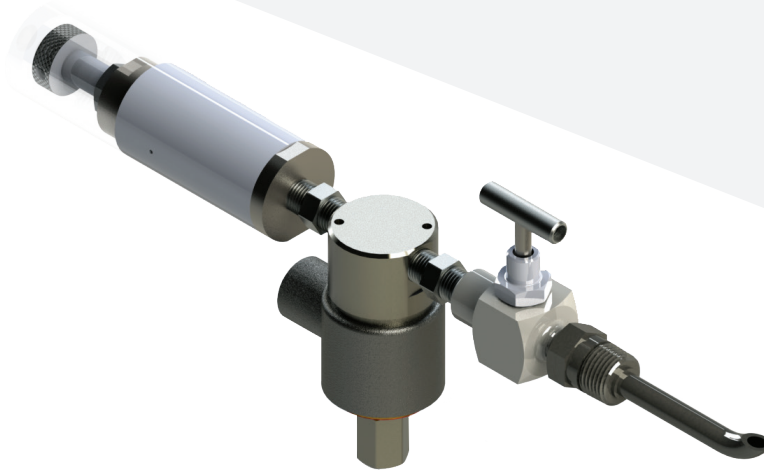


# Essentials Crude Oil Sampler™

Crude Oil Sampler



The Essentials™ Crude Oil sampler is a probe-mounted volume regulator with a 3-way solenoid for remote operation. It's a low-cost, low-maintenance composite sampler ideal for light, stabilized crude oil.

## Features

- Externally adjustable sample volume
- Explosion-proof electric solenoid operation
- Probe-mounted with isolation valve

## Benefits

- Meet varying sample volume demands without removing the sampler from the pipeline
- No pneumatic or hydraulic supply needed for operation
- Maintain the solenoid and Welker Volume Regulator without removing the unit from the pipeline

## SPECIFICATIONS

ESSENTIALS™ CRUDE OIL SAMPLER

### Essentials™ Crude Oil Sampler

Materials of Construction	316/316 L Stainless Steel
Pipeline Connection	¾" MNPT
Sample Outlet Connection	¼" FNPT
Insertion Length	10" Standard (Cut to Fit)
Electronics Options	DC 12 V, ½" FNPT Solenoid DC 24 V, ½" FNPT Solenoid
Sample Volume	2–5 cc 2–10 cc
Minimum Pipeline Pressure Required	50 psig
Operating Pressure	125 psig @ -20 °F to 120 °F
Industry Standards	API Chapter 8.2, ASTM D4177, ISO 3171

Weight and/or dimensions are approximate.  
Specifications subject to change without notice.



13839 WEST BELLFORT STREET SUGAR LAND, TEXAS 77498 | 281.491.2331 | sales@welker.com | [WELKER.COM](http://WELKER.COM)  
©2021 Welker, Inc., All Rights Reserved. Welker®, W Welker®, W Logo, WelkerScope®, Welker Jet®, and OdorEyes® are registered trademarks owned by Welker, Inc.