

Essentials™ Crude Oil Sampler



The Welker® Essentials™ Crude Oil Sampler is a low-cost, probe-mounted sampler designed for low-pressure and low-viscosity sampling applications.

Features

- Externally adjustable sample volume
- Sampler actuated by a sample valve and an electrical solenoid
- Durable 316/316L stainless steel construction

Benefits

- Cost-effective crude oil sampling solution
- Application does not require pump, pneumatic supply, or hydraulics
- Ability to perform equipment maintenance without removing from the pipeline

SPECIFICATIONS

ESSENTIALS™ CRUDE OIL SAMPLER

ESSENTIALS™ CRUDE OIL SAMPLER

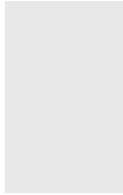
Materials of Construction	316/316L Stainless Steel, Teflon®, Viton®
Pipeline Connection	¾" MNPT
Sample Outlet Connection	¼" FNPT
Insertion Length	8"
Electronics Options	DC 12 V, ½" FNPT Solenoid DC 24 V, ½" FNPT Solenoid
Sample Volume	0–10 cc
Operating Pressure	125 psig MAOP @ -20 °F to 120 °F

STANDARD OPTIONS

ESSENTIALS™ CRUDE OIL SAMPLER

ELECTRONICS

AWL3B



2080S

1 or 2

ELECTRONICS

- 1: DC 12V, 1/2" FNPT Solenoid
- 2: DC 24V, 1/2" FNPT Solenoid

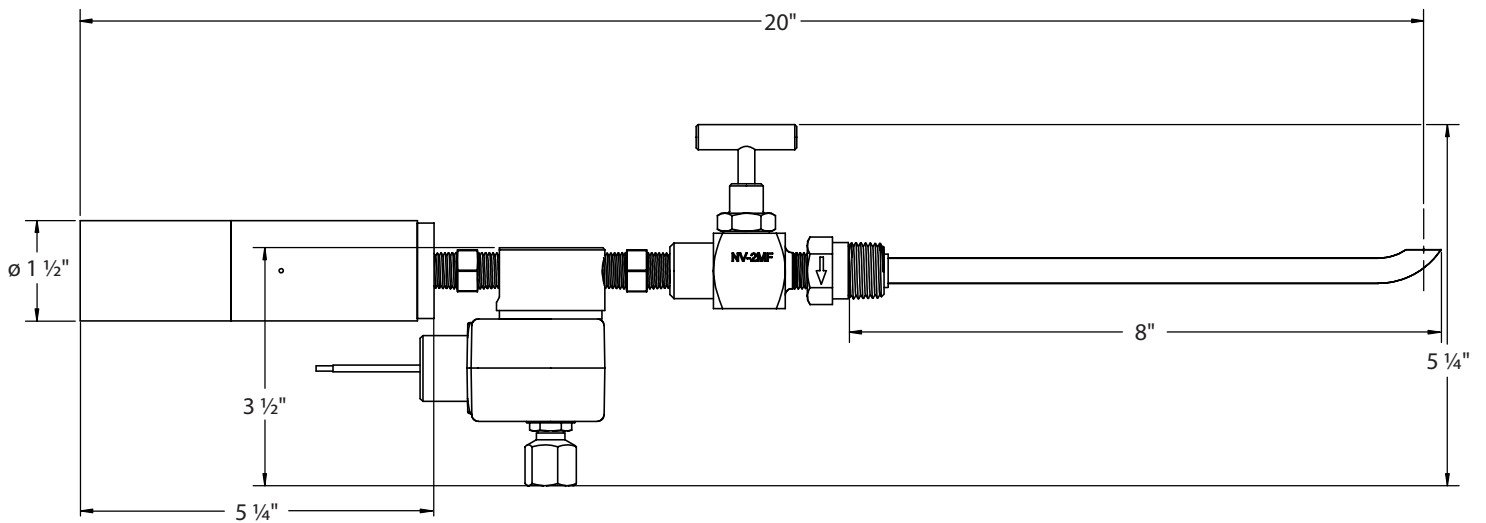
For custom options, choose **Plus Welker™**.



Customer Inspired. Welker Manufactured.

Collaborate with us to create a custom product unique to your application.

DIMENSIONS



Weight and/or dimensions are approximate.
Specifications subject to change without notice.



13839 WEST BELLFORT STREET SUGAR LAND, TEXAS 77498 | 281.491.2331 | sales@welker.com | WELKER.COM
©2016 Welker, Inc., All Rights Reserved. Welker®, W Welker®, W Logo, WelkerScope®, Welker Jet®, and OdorEyes® are registered trademarks owned by Welker, Inc.